

Instructions for use

WASHING MACHINE

GB

GB

English, 1

ES

Español, 13

I

Italiano, 25

PT

Português, 37

F

Français, 49

DE

Deutsch, 61

IWC 6103

Contents

Installation, 2-3

Unpacking and levelling
Connecting the electricity and water supplies
The first wash cycle
Technical data

Description of the washing machine and starting a wash cycle, 4-5

Control panel
Indicator lights
Starting a wash cycle

Wash cycles, 6

Table of wash cycles

Personalisation, 7

Setting the temperature
Setting the spin speed
Functions

Detergents and laundry, 8

Detergent dispenser drawer
Bleach cycle
Preparing the laundry
Garments requiring special care
Load balancing system

Precautions and tips, 9

General safety
Disposal

Care and maintenance, 10

Cutting off the water or electricity supply
Cleaning the washing machine
Cleaning the detergent dispenser drawer
Caring for the door and drum of your appliance
Cleaning the pump
Checking the water inlet hose

Troubleshooting, 11

Service, 12

Installation

GB

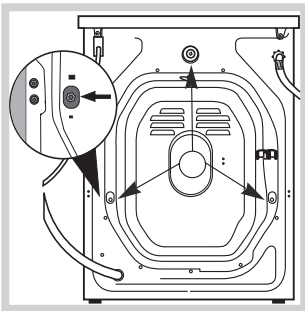
! This instruction manual should be kept in a safe place for future reference. If the washing machine is sold, transferred or moved, make sure that the instruction manual remains with the machine so that the new owner is able to familiarise himself/herself with its operation and features.

! Read these instructions carefully: they contain vital information relating to the safe installation and operation of the appliance.

Unpacking and levelling

Unpacking

1. Remove the washing machine from its packaging.
2. Make sure that the washing machine has not been damaged during the transportation process. If it has been damaged, contact the retailer and do not proceed any further with the installation process.



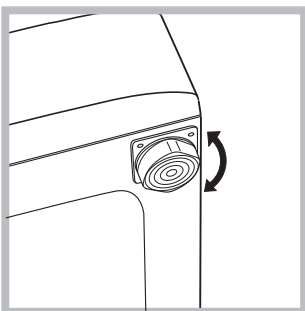
3. Remove the 3 protective screws (used during transportation) and the rubber washer with the corresponding spacer, located on the rear part of the appliance (see figure).

4. Close off the holes using the plastic plugs provided.
5. Keep all the parts in a safe place: you will need them again if the washing machine needs to be moved to another location.

! Packaging materials should not be used as toys for children.

Levelling

1. Install the washing machine on a flat sturdy floor, without resting it up against walls, furniture cabinets or anything else.

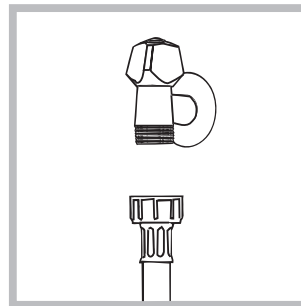


2. If the floor is not perfectly level, compensate for any unevenness by tightening or loosening the adjustable front feet (see figure); the angle of inclination, measured in relation to the worktop, must not exceed 2°.

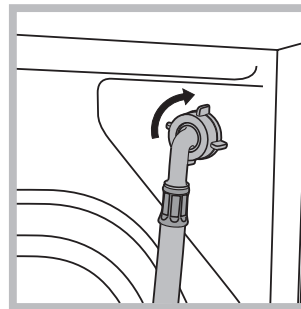
Levelling the machine correctly will provide it with stability, help to avoid vibrations and excessive noise and prevent it from shifting while it is operating. If it is placed on carpet or a rug, adjust the feet in such a way as to allow a sufficient ventilation space underneath the washing machine.

Connecting the electricity and water supplies

Connecting the water inlet hose



1. Connect the supply pipe by screwing it to a cold water tap using a 3/4 gas threaded connection (see figure). Before performing the connection, allow the water to run freely until it is perfectly clear.



2. Connect the inlet hose to the washing machine by screwing it onto the corresponding water inlet of the appliance, which is situated on the top right-hand side of the rear part of the appliance (see figure).

3. Make sure that the hose is not folded over or bent.

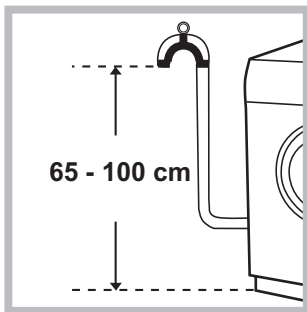
! The water pressure at the tap must fall within the values indicated in the Technical details table (see next page).

! If the inlet hose is not long enough, contact a specialised shop or an authorised technician.

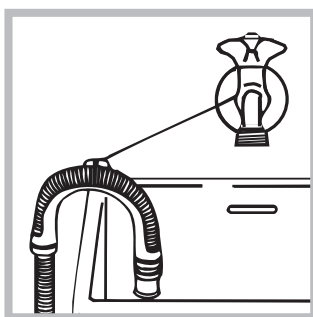
! Never use second-hand hoses.

! Use the ones supplied with the machine.

Connecting the drain hose



Connect the drain hose, without bending it, to a drainage duct or a wall drain located at a height between 65 and 100 cm from the floor;



alternatively, rest it on the side of a washbasin or bathtub, fastening the duct supplied to the tap (see figure). The free end of the hose should not be underwater.

! We advise against the use of hose extensions; if it is absolutely necessary, the extension must have the same diameter as the original hose and must not exceed 150 cm in length.

Electrical connections

Before plugging the appliance into the electricity socket, make sure that:

- the socket is earthed and complies with all applicable laws;
- the socket is able to withstand the maximum power load of the appliance as indicated in the Technical data table (see opposite);
- the power supply voltage falls within the values indicated in the Technical data table (see opposite);
- the socket is compatible with the plug of the washing machine. If this is not the case, replace the socket or the plug.

! The washing machine must not be installed outdoors, even in covered areas. It is extremely dangerous to leave the appliance exposed to rain, storms and other weather conditions.

! When the washing machine has been installed, the electricity socket must be within easy reach.

! Do not use extension cords or multiple sockets.

! The cable should not be bent or compressed.

! The power supply cable must only be replaced by authorised technicians.

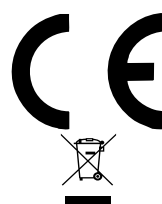
Warning! The company shall not be held responsible in the event that these regulations are not respected.

The first wash cycle

Once the appliance has been installed, and before you use it for the first time, run a wash cycle with detergent and no laundry, using the wash cycle 2.

Technical data

Model	IWC 6103
Dimensions	width 59,5 cm height 85 cm depth 52,5 cm
Capacity	from 1 to 6 kg
Electrical connections	please refer to the technical data plate fixed to the machine
Water connection	maximum pressure 1 MPa (10 bar) minimum pressure 0.05 MPa (0.5 bar) drum capacity 46 litres
Spin speed	up to 1000 rotations per minute
Test wash cycles in accordance with directives 1061/2010 and 1015/2010	Programme 2: temperature 60°C and 40°C;



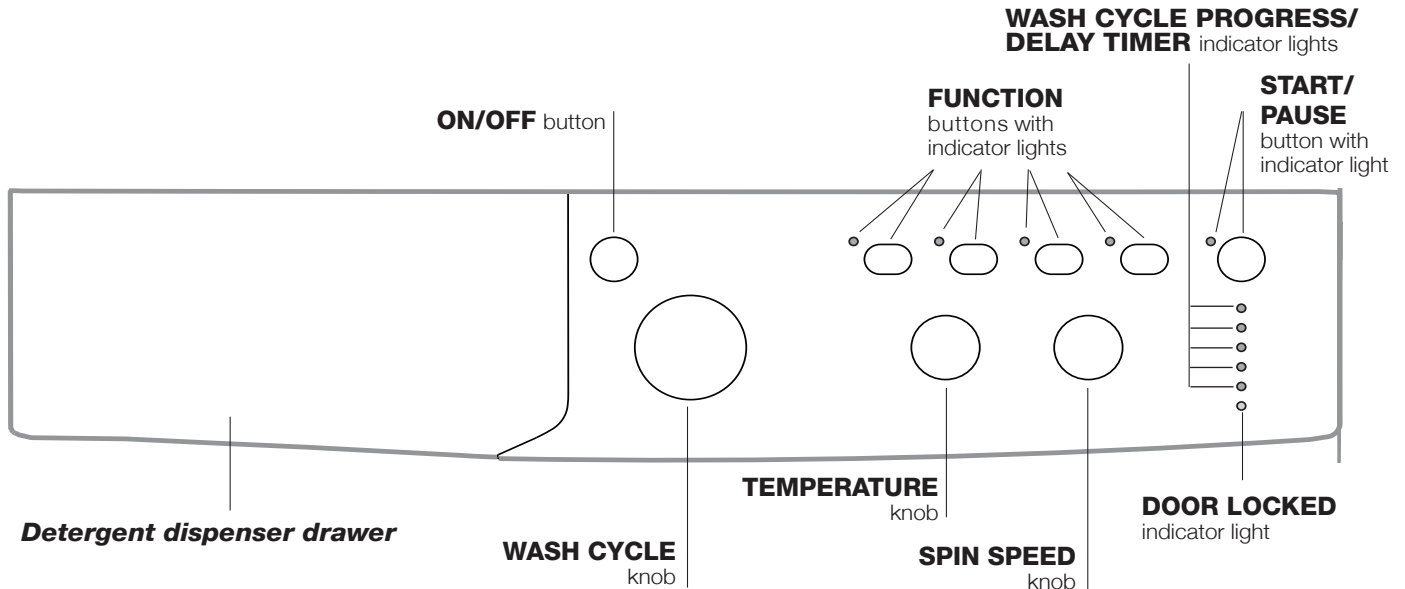
This appliance conforms to the following EC Directives:

- 2004/108/CE (Electromagnetic Compatibility)
- 2002/96/EC
- 2006/95/EC (Low Voltage)

Description of the washing machine and starting a wash cycle

Control panel

GB



Detergent dispenser drawer: used to dispense detergents and washing additives (see “Detergents and laundry”).

ON/OFF button: switches the washing machine on and off.

WASH CYCLE knob: programmes the wash cycles. During the wash cycle, the knob does not move.

FUNCTION buttons with indicator light: used to select the available functions. The indicator light corresponding to the selected function will remain lit.

TEMPERATURE knob: sets the temperature or the cold wash cycle (see “Personalisation”).


SPIN SPEED knob: sets the spin speed or exclude the spin cycle completely (see “Personalisation”).

WASH CYCLE PROGRESS/DELAY TIMER indicator lights: used to monitor the progress of the wash cycle. The illuminated indicator light shows which phase is in progress.

If the Delay Timer function has been set, the time remaining until the wash cycle starts will be indicated (see next page).

DOOR LOCKED indicator light: indicates whether the door may be opened or not (see next page).

START/PAUSE button with indicator light: starts or temporarily interrupts the wash cycles.

N.B. To pause the wash cycle in progress, press this button; the corresponding indicator light will flash orange, while the indicator light for the current wash cycle phase will remain lit in a fixed manner. If the DOOR LOCKED  indicator light is switched off, the door may be opened. To start the wash cycle from the point at which it was interrupted, press this button again.

Standby mode

This washing machine, in compliance with new energy saving regulations, is fitted with an automatic standby system which is enabled after about 30 minutes if no activity is detected. Press the ON-OFF button briefly and wait for the machine to start up again.

Consumption in off-mode: 1W

Consumption in Left-on: 1W

Indicator lights

The indicator lights provide important information. This is what they can tell you:

Delayed start

If the DELAY TIMER function has been activated (see “Personalisation”), after the wash cycle has been started the indicator light corresponding to the selected delay period will begin to flash:



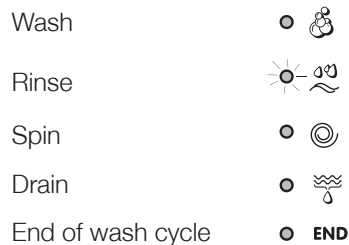
As time passes, the remaining delay will be displayed and the corresponding indicator light will flash:



The set programme will start once the selected time delay has expired.

Wash cycle phase indicator lights

Once the desired wash cycle has been selected and has begun, the indicator lights switch on one by one to indicate which phase of the cycle is currently in progress.



Function buttons and corresponding indicator lights

When a function is selected, the corresponding indicator light will illuminate.

If the selected function is not compatible with the programmed wash cycle, the corresponding indicator light will flash and the function will not be activated.

If the selected function is not compatible with another function which has been selected previously, the indicator light corresponding to the first function selected will flash and only the second function will be activated; the indicator light corresponding to the enabled option will remain lit.


Door locked indicator light

When the indicator light is on, the porthole door is locked to prevent it from being opened; make sure the indicator light is off before opening the door (wait approximately 3 minutes). To open the door during a running wash cycle, press the START/PAUSE button; the door may be opened once the DOOR LOCKED indicator light turns off.

Starting a wash cycle



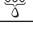
1. Switch the washing machine on by pressing the ON/OFF button. All indicator lights will switch on for a few seconds, then they will switch off and the START/PAUSE indicator light will pulse.
2. Load the laundry and close the door.
3. Set the WASH CYCLE knob to the desired programme.
4. Set the washing temperature (see “Personalisation”).
5. Set the spin speed (see “Personalisation”).
6. Measure out the detergent and washing additives (see “Detergents and laundry”).
7. Select the desired functions.
8. Start the wash cycle by pressing the START/PAUSE button and the corresponding indicator light will remain lit in a fixed manner, in green.

To cancel the set wash cycle, pause the machine by pressing the START/PAUSE button and select a new cycle.

9. At the end of the wash cycle the **END** indicator light will switch on. The door can be opened once the DOOR LOCKED  indicator light turns off. Take out your laundry and leave the appliance door ajar to make sure the drum dries completely. Switch the washing machine off by pressing the ON/OFF button.

Wash cycles

Table of wash cycles

Wash cycles	Description of the wash cycle	Max. temp. (°C)	Max. speed (rpm)	Detergents				Max. load (kg)		Residual dampness %	Energy consumption kWh	Total water lt	Cycle duration	
				Prewash	Wash	Bleach	Fabric softener	Normal	Eco Time				Normal	Eco Time
Daily														
1	Cotton with prewash: extremely soiled whites.	90°	1000	●	●	-	●	6	-	62	1,84	64	152	-
2	Cotton: extremely soiled whites.	90°	1000	-	●	●	●	6	-	62	1,77	58	137	-
2	Cotton (1-2): heavily soiled whites and resistant colours.	60°	1000	-	●	●	●	6	-	62	1,048	51	192	-
2	Cotton (2): lightly soiled whites and delicate colours.	40°	1000	-	●	●	●	6	-	62	0,864	62	186	-
3	Cotton: heavily soiled whites and resistant colours.	60°	1000	-	●	●	●	6	3,5	-	-	-	128	82
4	Coloured Cottons (3): lightly soiled whites and delicate colours.	40°	1000	-	●	●	●	6	3,5	62	0,82	53	90	82
5	Synthetics: heavily soiled resistant colours.	60°	800	-	●	●	●	2,5	2	44	0,78	33	99	68
5	Synthetics energetic (4): heavily soiled resistant colours.	40°	800	-	●	●	●	2,5	2	44	0,49	32	90	68
6	Synthetics: lightly soiled delicate colours.	40°	800	-	●	●	●	2,5	2	-	-	-	70	68
Special														
7	Wool: for wool, cashmere, etc.	40°	800	-	●	-	●	1,5	-	-	-	-	72	-
8	Silk/Curtains: for garments in silk and viscose, lingerie.	30°	0	-	●	-	●	1	-	-	-	-	55	-
9	Jeans	40°	800	-	●	-	●	3	-	-	-	-	58	-
10	Express: to refresh lightly soiled garments quickly (not suitable for wool, silk and clothes which require washing by hand).	30°	800	-	●	-	●	1,5	-	71	0,12	27	15	-
Sport														
11	Sport Intensive	30°	600	-	●	-	●	3	-	-	-	-	83	-
12	Sport Light	30°	600	-	●	-	●	3	-	-	-	-	58	-
13	Sport Shoes	30°	600	-	●	-	●	Max. 2 pairs	-	-	-	-	54	-
Partial wash cycles														
	Rinse	-	1000	-	-	●	●	6	-	-	-	-	36	-
	Spin	-	1000	-	-	-	-	6	-	-	-	-	16	-
	Drain	-	0	-	-	-	-	6	-	-	-	-	2	-

The cycle duration indicated on the display or instruction manual is an estimate based on standard conditions. The actual duration may vary in relation to several factors, such as the temperature and pressure of the incoming water, ambient temperature, amount of detergent, load quantity and type, load balancing and any additional options selected.

For all Test Institutes:

- 1) Test wash cycle in compliance with regulation 2010/1061: set wash cycle 2 with a temperature of 60°C and 40°C. This cycle is designed for cotton loads with a normal soil level and is the most efficient in terms of both electricity and water consumption; it should be used for garments which can be washed at 60°C and 40°C. The actual washing temperature may differ from the indicated value.
- 2) Long wash cycle for cottons: set wash cycle 2 with a temperature of 40°C.
- 3) Short wash cycle for cottons: set wash cycle 4 with a temperature of 40°C.
- 4) Synthetic program along: set wash cycle 5 with a temperature of 40°C.

Specials wash cycles

Express (wash cycle 10) this wash cycle was designed to wash lightly soiled garments quickly: it lasts just 15 minutes and therefore saves both energy and time. By selecting this wash cycle (10 at 30°C), it is possible to wash different fabrics together (except for wool and silk items), with a maximum load of 1.5 kg.

Sport Intensive (wash cycle 11) is for washing heavily soiled sports clothing fabrics (tracksuits, shorts, etc.); for best results, we recommend not exceeding the maximum load indicated in the "Table of wash cycles".

Sport Light (wash cycle 12) is for washing lightly soiled sports clothing fabrics (tracksuits, shorts, etc.); for best results, we recommend not exceeding the maximum load indicated in the "Table of wash cycles". We recommend using a liquid detergent and dosage suitable for a half-load.

Sport Shoes (wash cycle 13) is for washing sports shoes; for best results, do not wash more than 2 pairs simultaneously.

Setting the temperature

Turn the TEMPERATURE knob to set the wash temperature (see *Table of wash cycles*).

The temperature may be lowered, or even set to a cold wash .


The washing machine will automatically prevent you from selecting a temperature which is higher than the maximum value set for each wash cycle.

Setting the spin speed

Turn the SPIN SPEED knob to set the spin speed for the selected wash cycle.

The maximum spin speeds available for each wash cycle are as follows:

Wash cycles	Maximum spin speed
Cottons	1000 rpm
Synthetics	800 rpm
Wool	800 rpm
Silk	drain only

The spin speed may be lowered, or the spin cycle can be excluded altogether by selecting the symbol .

The washing machine will automatically prevent you from selecting a spin speed which is higher than the maximum speed set for each wash cycle.

Functions

The various wash functions available with this washing machine will help to achieve the desired results, every time.




To activate the functions:

1. Press the button corresponding to the desired function;
2. the function is enabled when the corresponding indicator light is illuminated.

Note: If the indicator light flashes rapidly, this signals that this particular function may not be selected in conjunction with the selected wash cycle.

Ec@Time

Selecting this option enables you to suitably adjust drum rotation, temperature and water to a reduced load of lightly soiled cotton and synthetic fabrics (refer to the "*Table of wash cycles*"). "Ec@Time" enables you to wash in less time thereby saving water and electricity. We suggest using a liquid detergent suitably measured out to the load quantity.

! This function may not be used in conjunction with wash cycles 1, 2, 7, 8, 9, 10, 11, 12, 13, , , .

Stain removal

Bleaching cycle designed to remove the toughest stains. Please remember to pour the bleach into extra compartment 4 (see "*Bleach cycle*").

! This function may not be used in conjunction with wash cycles 1, 7, 8, 9, 10, 11, 12, 13, , .

Extra rinse

By selecting this option, the efficiency of the rinse is increased and optimal detergent removal is guaranteed. It is particularly useful for sensitive skin.

! This function may not be used in conjunction with wash cycles 10, , .

Delay timer

This timer delays the start time of the wash cycle by up to 12 hours.

Press the button repeatedly until the indicator light corresponding to the desired delay time switches on. The fifth time the button is pressed, the function will be disabled.

N.B. Once the START/PAUSE button has been pressed, the delay time can only be modified by decreasing it until launching the set programme.

! This option is enabled with all programmes.

Detergents and laundry

GB

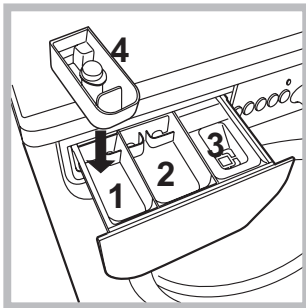
Detergent dispenser drawer

Good washing results also depend on the correct dose of detergent: adding too much detergent will not necessarily result in a more efficient wash, and may in fact cause build up on the inside of your appliance and contribute to environmental pollution.

! Do not use hand washing detergents because these create too much foam.

! Use powder detergent for white cotton garments, for pre-washing, and for washing at temperatures over 60°C.

! Follow the instructions given on the detergent packaging.



Open the detergent dispenser drawer and pour in the detergent or washing additive, as follows.

compartment 1: Pre-wash detergent (powder)

Before pouring in the detergent, make sure that extra compartment 4 has been removed.

compartment 2: Detergent for the wash cycle (powder or liquid)

Liquid detergent should only be poured in immediately prior to the start of the wash cycle.

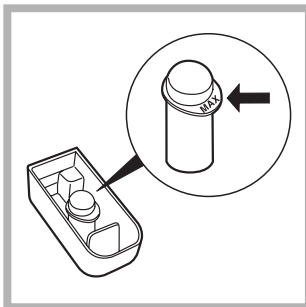
compartment 3: Additives (fabric softeners, etc.)

The fabric softener should not overflow the grid.



extra compartment 4: Bleach


Bleach cycle

! **Traditional** bleach should be used on sturdy white fabrics, and **delicate** bleach for coloured fabrics, synthetics and for wool.



This option is particularly useful for the removal of stubborn stains. Place extra compartment 4 (supplied) into compartment 1. When pouring in the bleach, be careful not to exceed the "max" level marked on the central pivot (see figure).

To run the bleach cycle on its own, pour the bleach into extra compartment 4, set the "Rinse"  programme and activate the "Stain removal"  option.

To bleach during a wash cycle, pour in the detergent and any fabric softener you wish to use, set the desired wash cycle and enable the "Stain removal"  option.

The use of extra compartment 4 excludes the "Pre-wash" option.


Preparing the laundry

- Divide the laundry according to:
 - the type of fabric/the symbol on the label
 - the colours: separate coloured garments from whites.
- Empty all garment pockets and check the buttons.
- Do not exceed the listed values, which refer to the weight of the laundry when dry:
 - Durable fabrics: max. 6 kg
 - Synthetic fabrics: max. 2,5 kg
 - Delicate fabrics: max. 2 kg
 - Wool: max. 1,5 kg
 - Silk: max. 1 kg

How much does your laundry weigh?

- 1 sheet 400-500 g
- 1 pillow case 150-200 g
- 1 tablecloth 400-500 g
- 1 bathrobe 900-1200 g
- 1 towel 150-250 g

Garments requiring special care

Wool: all wool garments can be washed using programme 7, even those carrying the "hand-wash only"  label. For best results, use special detergents and do not exceed 1,5 kg of laundry.

Silk: use special wash cycle 8 to wash all silk garments. We recommend the use of special detergent which has been designed to wash delicate clothes.

Curtains: fold curtains and place them in a pillow case or mesh bag. Use wash cycle 8.

Jeans: Turn garments inside-out before washing and use a liquid detergent. Use programme 9.

Load balancing system

Before every spin cycle, to avoid excessive vibrations and to distribute the load in a uniform manner, the drum rotates continuously at a speed which is slightly greater than the washing rotation speed. If, after several attempts, the load is not balanced correctly, the machine spins at a reduced spin speed. If the load is excessively unbalanced, the washing machine performs the distribution process instead of spinning. To encourage improved load distribution and balance, we recommend small and large garments are mixed in the load.

! This washing machine was designed and constructed in accordance with international safety regulations. The following information is provided for safety reasons and must therefore be read carefully.

General safety

- This appliance is not intended for use by persons (including children) with reduced physical, sensory or mental capabilities, or lack of experience and knowledge, unless they have been given supervision or instruction concerning use of the appliance by a person responsible for their safety. Children should be supervised to ensure that they do not play with the appliance.
- This appliance was designed for domestic use only.
- Do not touch the machine when barefoot or with wet or damp hands or feet.
- Do not pull on the power supply cable when unplugging the appliance from the electricity socket. Hold the plug and pull.
- Do not open the detergent dispenser drawer while the machine is in operation.
- Do not touch the drained water as it may reach extremely high temperatures.
- Never force the porthole door. This could damage the safety lock mechanism designed to prevent accidental opening.
- If the appliance breaks down, do not under any circumstances access the internal mechanisms in an attempt to repair it yourself.
- Always keep children well away from the appliance while it is operating.
- The door can become quite hot during the wash cycle.
- If the appliance has to be moved, work in a group of two or three people and handle it with the utmost care. Never try to do this alone, because the appliance is very heavy.
- Before loading laundry into the washing machine, make sure the drum is empty.

Disposal

- Disposing of the packaging materials: observe local regulations so that the packaging may be re-used.
- The European Directive 2002/96/EC on Waste Electrical and Electronic Equipment, requires that old household electrical appliances must not be disposed of in the normal unsorted municipal waste stream. Old appliances must be collected separately in order to optimise the recovery and recycling of the materials they contain and reduce the impact on human health and the environment. The crossed out “wheeled bin” symbol on the product reminds you of your obligation, that when you dispose of the appliance it must be separately collected. Consumers should contact their local authority or retailer for information concerning the correct disposal of their old appliance.

Care and maintenance

GB

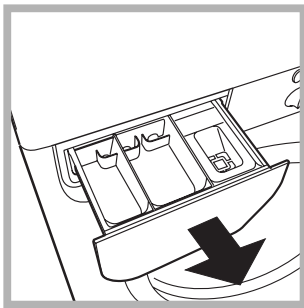
Cutting off the water and electricity supplies

- Turn off the water tap after every wash cycle. This will limit wear on the hydraulic system inside the washing machine and help to prevent leaks.
- Unplug the washing machine when cleaning it and during all maintenance work.

Cleaning the washing machine

The outer parts and rubber components of the appliance can be cleaned using a soft cloth soaked in lukewarm soapy water. Do not use solvents or abrasives.

Cleaning the detergent dispenser drawer



Remove the dispenser by raising it and pulling it out (see figure). Wash it under running water; this operation should be repeated frequently.

Caring for the door and drum of your appliance

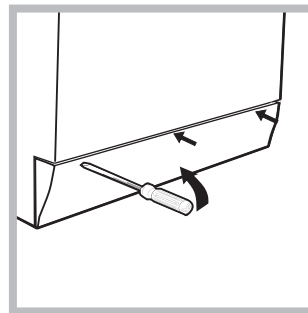
- Always leave the porthole door ajar in order to prevent unpleasant odours from forming.

Cleaning the pump

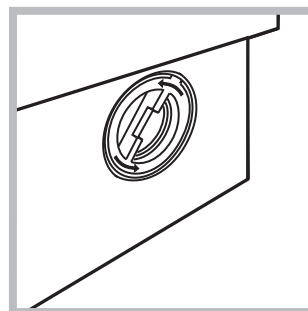
The washing machine is fitted with a self-cleaning pump which does not require any maintenance. Sometimes, small items (such as coins or buttons) may fall into the pre-chamber which protects the pump, situated in its bottom part.

! Make sure the wash cycle has finished and unplug the appliance.

To access the pre-chamber:



1. using a screwdriver, remove the cover panel on the lower front part of the washing machine (see figure);



2. unscrew the lid by rotating it anti-clockwise (see figure); a little water may trickle out. This is perfectly normal;

3. clean the inside thoroughly;
4. screw the lid back on;
5. reposition the panel, making sure the hooks are securely in place before you push it onto the appliance.

Checking the water inlet hose

Check the inlet hose at least once a year. If there are any cracks, it should be replaced immediately: during the wash cycles, water pressure is very strong and a cracked hose could easily split open.

! Never use second-hand hoses.

Your washing machine could fail to work. Before contacting the Technical Assistance Centre (see “Assistance”), make sure that the problem cannot be not solved easily using the following list.

Problem:

Possible causes / Solutions:

The washing machine does not switch on.

- The appliance is not plugged into the socket fully, or is not making contact.
- There is no power in the house.

The wash cycle does not start.

- The washing machine door is not closed properly.
- The ON/OFF button has not been pressed.
- The START/PAUSE button has not been pressed.
- The water tap has not been opened.
- A delayed start has been set (see “Personalisation”).

The washing machine does not take in water (the indicator light for the first wash cycle stage flashes rapidly).

- The water inlet hose is not connected to the tap.
- The hose is bent.
- The water tap has not been opened.
- There is no water supply in the house.
- The pressure is too low.
- The START/PAUSE button has not been pressed.

The washing machine continuously takes in and drains water.

- The drain hose is not fitted at a height between 65 and 100 cm from the floor (see “Installation”).
- The free end of the hose is under water (see “Installation”).
- The wall drainage system is not fitted with a breather pipe.

If the problem persists even after these checks, turn off the water tap, switch the appliance off and contact the Assistance Service. If the dwelling is on one of the upper floors of a building, there may be problems relating to water drainage, causing the washing machine to fill with water and drain continuously. Special anti-draining valves are available in shops and help to avoid this inconvenience.

The washing machine does not drain or spin.

- The wash cycle does not include draining: some wash cycles require the drain phase to be started manually.
- The drain hose is bent (see “Installation”).
- The drainage duct is clogged.

The washing machine vibrates a lot during the spin cycle.

- The drum was not unlocked correctly during installation (see “Installation”).
- The washing machine is not level (see “Installation”).
- The washing machine is trapped between cabinets and walls (see “Installation”).

The washing machine leaks.

- The water inlet hose is not screwed on properly (see “Installation”).
- The detergent dispenser drawer is blocked (for cleaning instructions, see “Care and maintenance”).
- The drain hose is not fixed properly (see “Installation”).

The “Functions” indicator lights and the “start/pause” indicator light flash, while one of the “phase in progress” indicator lights and the “door locked” indicator light will remain lit in a fixed manner.

- Switch off the machine and unplug it, wait for approximately 1 minute and then switch it back on again.
If the problem persists, contact the Technical Assistance Service.

There is too much foam.

- The detergent is not suitable for machine washing (it should display the text “for washing machines” or “hand and machine wash”, or the like).
- Too much detergent was used.

Service

GB

Before calling for Assistance:

- Check whether you can solve the problem alone (see “*Troubleshooting*”);
- Restart the programme to check whether the problem has been solved;
- If this is not the case, contact an authorised Technical Assistance Centre using the telephone number provided on the guarantee certificate.

! Always request the assistance of authorised technicians.

Have the following information to hand:

- the type of problem;
- the appliance model (Mod.);
- the serial number (S/N).

This information can be found on the data plate applied to the rear of the washing machine, and can also be found on the front of the appliance by opening the door.

ES

Español

IWC 6103

Sumario

Instalación, 14-15

Desembalaje y nivelación
Conexiones hidráulicas y eléctricas
Primer ciclo de lavado
Datos técnicos

Descripción de la lavadora y comienzo de un programa, 16-17

Panel de control
Pilotos
Poner en marcha un programa

Programas, 18

Tabla de programas

Personalizaciones, 19

Seleccionar la temperatura
Seleccionar el centrifugado
Funciones

Detergentes y ropa, 20

Contenedor de detergentes
Ciclo de blanqueo
Preparar la ropa
Prendas especiales
Sistema de equilibrado de la carga

Precauciones y consejos, 21

Seguridad general
Eliminaciones

Mantenimiento y cuidados, 22

Interrumpir el agua y la corriente eléctrica
Limpiar la lavadora
Limpiar el contenedor de detergentes
Cuidar la puerta y el cesto
Limpiar la bomba
Controlar el tubo de alimentación de agua

Anomalías y soluciones, 23

Asistencia, 24

Instalación

ES

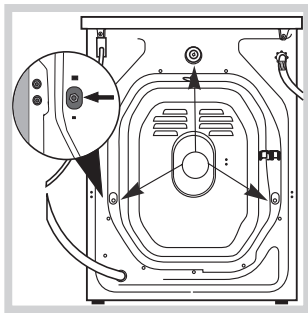
! Es importante conservar este manual para poder consultarlo en cualquier momento. En caso de venta, de cesión o de traslado, verifique que permanezca junto con la lavadora para informar al nuevo propietario sobre el funcionamiento y brindar las correspondientes advertencias.

! Lea atentamente las instrucciones: ellas contienen importante información sobre la instalación, el uso y la seguridad.

Desembalaje y nivelación

Desembalaje

1. Desembale la lavadora.
2. Controle que la lavadora no haya sufrido daños durante el transporte. Si estuviera dañada no la conecte y llame al revendedor.



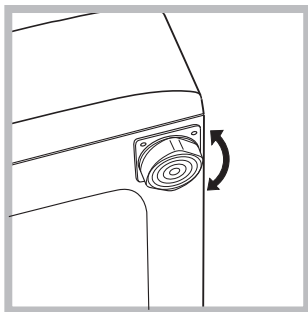
3. Quite los **3** tornillos de protección para el transporte y la arandela de goma con el correspondiente distanciador ubicados en la parte posterior (ver la figura).

4. Cubra los orificios con los tapones de plástico suministrados con el aparato.
5. Conserve todas las piezas: cuando la lavadora deba ser transportada nuevamente, deberán volver a colocarse.

! Los embalajes no son juguetes para los niños.

Nivelación

1. Instale la lavadora sobre un piso plano y rígido, sin apoyarla en las paredes, muebles ni en ningún otro aparato.

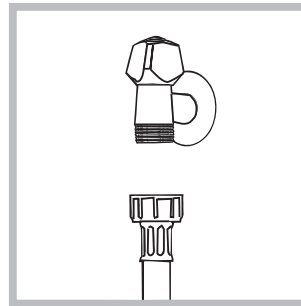


2. Si el piso no está perfectamente horizontal, compense las irregularidades desenroscando o enroscando las patas delanteras (ver la figura); el ángulo de inclinación medido sobre la superficie de trabajo, no debe superar los 2°.

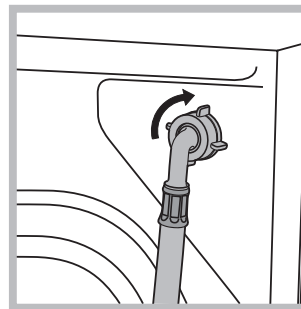
Una cuidadosa nivelación brinda estabilidad a la máquina y evita vibraciones, ruidos y desplazamientos durante el funcionamiento. Cuando se instala sobre moquetas o alfombras, regule los pies para conservar debajo de la lavadora un espacio suficiente para la ventilación.

Conexiones hidráulicas y eléctricas

Conexión del tubo de alimentación de agua



1. Conectar el tubo de tubo enroscándolo a un grifo de agua fría con la boca rosca de 3/4 gas (ver la figura). Antes de conectarlo, haga correr el agua hasta que esté limpia.



2. Conecte el tubo de alimentación a la lavadora enroscándolo en la toma de agua correspondiente ubicada en la parte posterior derecha (arriba) (ver la figura).

3. Controle que en el tubo no hayan pliegues ni estrangulaciones.

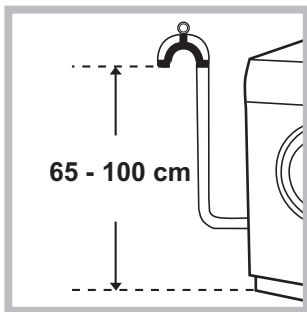
! La presión de agua del grifo debe estar comprendida dentro de los valores contenidos en la tabla de Datos técnicos (ver la página correspondiente).

! Si la longitud del tubo de alimentación no es la suficiente, diríjase a un negocio especializado o a un técnico autorizado.

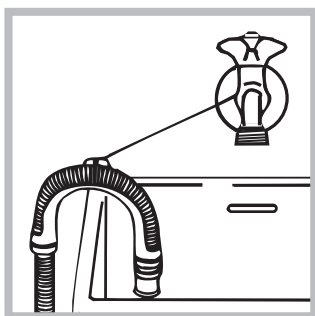
! No utilice nunca tubos ya usados.

! Utilice los suministrados con la máquina.

Conexión del tubo de descarga



Conecte el tubo de descarga, sin plegarlo, a una tubería de descarga o a una descarga de pared colocadas a una altura del piso entre 65 y 100 cm;



o apóyelo en el borde de un lavamanos o de una bañera, uniendo la guía suministrada con el aparato, al grifo (ver la figura). El extremo libre del tubo de descarga no debe permanecer sumergido en el agua.

! No se aconseja utilizar tubos de prolongación, si fuera indispensable hacerlo, la prolongación debe tener el mismo diámetro del tubo original y no superar los 150 cm.

Conexión eléctrica

Antes de enchufar el aparato, verifique que:

- la toma tenga la conexión a tierra y haya sido hecha según las normas legales;
- la toma sea capaz de soportar la carga máxima de potencia de la máquina indicada en la tabla de Datos técnicos (ver al costado);
- la tensión de alimentación esté comprendida dentro de los valores indicados en la tabla de Datos técnicos (ver al costado);
- la toma sea compatible con el enchufe de la lavadora. Si no es así, sustituya la toma o el enchufe.

! La lavadora no debe ser instalada al aire libre, ni siquiera si el lugar está reparado, ya que es muy peligroso dejarla expuesta a la lluvia o a las tormentas.

! Una vez instalada la lavadora, la toma de corriente debe ser fácilmente accesible.

! No utilice prolongaciones ni conexiones múltiples.

! El cable no debe estar plegado ni sufrir compresiones.

! El cable de alimentación debe ser sustituido sólo por técnicos autorizados.

¡Atención! La empresa fabricante declina toda responsabilidad en caso de que estas normas no sean respetadas.

Primer ciclo de lavado

Después de la instalación y antes del uso, realice un ciclo de lavado con detergente y sin ropa, seleccionando el programa **2**.

Datos técnicos

Modelo	IWC 6103
Dimensiones	ancho 59,5 cm. altura 85 cm. profundidad 52,5 cm.
Capacidad	de 1 a 6 kg.
Conexiones eléctricas	ver la placa de características técnicas aplicada en la máquina
Conexiones hídricas	presión máxima 1 MPa (10 bar) presión mínima 0,05 MPa (0,5 bar) capacidad del cesto 46 litros
Velocidad de centrifugado	máxima 1000 r.p.m.
Programas de control según las directivas 1061/2010 y 1015/2010	Programa 2: temperatura 60°C y 40°C.

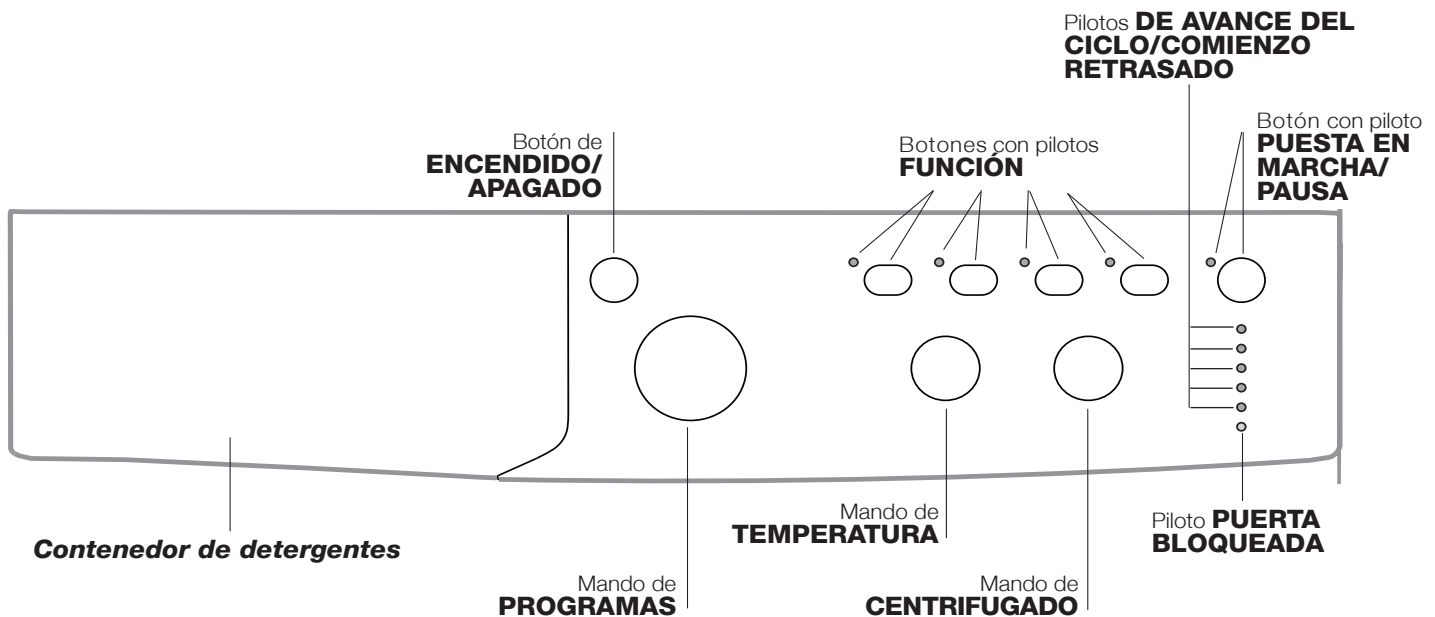


Esta máquina cumple con lo establecido por las siguientes Directivas de la Comunidad:

- 2004/108/CE (Compatibilidad Electromagnética)
- 2002/96/CE
- 2006/95/CE (Baja Tensión)

Descripción de la lavadora y comienzo de un programa

Panel de control



Contenedor de detergentes: para cargar detergentes y aditivos (ver "Detergentes y ropa").

Botón de **ENCENDIDO/APAGADO:** para encender y apagar la lavadora.

Mando de **PROGRAMAS:** para elegir los programas. Durante el funcionamiento del programa el mando no se mueve.

Botones con pilotos de **FUNCIÓN:** para seleccionar las funciones disponibles. El piloto correspondiente a la función seleccionada permanecerá encendido.

Mando de **CENTRIFUGADO:** para seleccionar el centrifugado o excluirlo (ver "Personalizaciones").

Mando de **TEMPERATURA:** para seleccionar la temperatura o el lavado en frío (ver "Personalizaciones").


Pilotos **DE AVANCE DEL CICLO/COMIENZO RETRASADO:** para seguir el estado de avance del programa de lavado.

El piloto encendido indica la fase en curso.

Si se seleccionó la función "Comienzo retrasado", indicarán el tiempo que falta para la puesta en marcha del programa (ver la página correspondiente).

Piloto **PUERTA BLOQUEADA:** para saber si la puerta se puede abrir (ver la página correspondiente).

Botón con piloto **PUESTA EN MARCHA/PAUSA:** se utiliza para poner en marcha los programas o interrumpirlos momentáneamente.

Nota: Presione este botón para poner en pausa el lavado en curso, el piloto correspondiente centelleará con color anaranjado mientras que el de la fase en curso permanecerá encendido en forma fija. Si el piloto PUERTA BLOQUEADA  está apagado, se podrá abrir la puerta.

Para que el lavado se reanude a partir del momento en el cual fue interrumpido, presione nuevamente este botón.

Modalidad de stand by

Esta lavadora está en conformidad con las nuevas normativas vinculadas al ahorro energético. Está dotada de un sistema de auto-apagado (stand by) que, en caso de no funcionamiento, se activa pasados aproximadamente 30 minutos. Presionar brevemente el botón ON-OFF y esperar que la máquina se active.

Consumo en off-mode: 1 W

Consumo en Left-on: 1W

Pilotos

Los pilotos suministran información importante. He aquí lo que nos dicen:

Comienzo retrasado

Si se ha activado la función "Comienzo retrasado" (ver "Personalizaciones"), después de haber puesto en marcha el programa, comenzará a centellear el piloto correspondiente al retraso seleccionado:



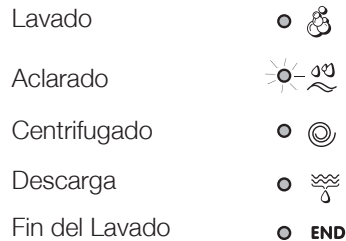
Con el transcurrir del tiempo se visualizará el retraso residual con el centelleo de la luz testigo correspondiente:



Una vez transcurrido el tiempo de retraso seleccionado, comenzará el programa.

Pilotos fase en curso

Una vez seleccionado y puesto en marcha el ciclo de lavado deseado, las luces testigo se encenderán progresivamente para indicar su estado de avance:




Botones de función y pilotos correspondientes

Seleccionando una función, el piloto correspondiente se iluminará. Si la función seleccionada no es compatible con el programa elegido, el piloto correspondiente centelleará y la función no se activará. Si la función elegida no es compatible con otra seleccionada precedentemente, el piloto correspondiente a la primera función seleccionada centelleará y se activará sólo la segunda, el piloto de la función activada se iluminará.

Piloto puerta bloqueada

El piloto encendido indica que la puerta está bloqueada impidiendo su apertura; para poder abrir la puerta es necesario que dicho piloto esté apagado (espere 3 minutos aproximadamente). Para abrir la puerta mientras un ciclo está en curso, presione el botón PUESTA EN MARCHA/PAUSA; si el piloto PUERTA BLOQUEADA está apagado, será posible abrir la puerta.

Poner en marcha un programa

1. Encienda la lavadora presionando el botón ENCENDIDO/APAGADO. Todos los pilotos se encenderán durante algunos segundos, luego se apagarán y se deberá pulsar el piloto PUESTA EN MARCHA/PAUSA.
2. Cargue la ropa y cierre la puerta.
3. Seleccione el programa deseado con el mando de PROGRAMAS.
4. Fije la temperatura de lavado (ver "Personalizaciones").
5. Fije la velocidad de centrifugado (ver "Personalizaciones").
6. Vierta detergente y aditivos (ver "Detergentes y ropa").
7. Seleccione las funciones deseadas.
8. Ponga en marcha el programa presionando el botón PUESTA EN MARCHA/PAUSA y el piloto correspondiente permanecerá encendido, fijo y de color verde. Para anular el ciclo seleccionado ponga en pausa la máquina presionando el botón PUESTA EN MARCHA/PAUSA y elija un nuevo ciclo.
9. Al final del programa se iluminará el piloto **END**. Cuando el piloto PUERTA BLOQUEADA  se apague, será posible abrir la puerta. Extraiga la ropa y deje la puerta semicerrada para permitir que el cesto se seque. Apague la lavadora presionando el botón ENCENDIDO/APAGADO.

Programas

ES

Tabla de programas

Programas	Descripción del Programa	Temp. max. (°C)	Velocidad máx. (r.p.m.)	Detergentes				Carga máx. (Kg.)		Humedad residual %	Consumo de energía kWh	Agua total lt	Duración del ciclo	
				Prelavado	Lavado	Blanqueador	Suavizante	Normal	Eco Time				Normal	Eco Time
Diario (programas para todos los días)														
1	Prelavado Algodón: blancos sumamente sucios.	90°	1000	●	●	-	●	6	-	62	1,84	64	152	-
2	Algodón: blancos sumamente sucios.	90°	1000	-	●	●	●	6	-	62	1,77	58	137	-
2	Algodón (1-2): blancos y colores resistentes muy sucios.	60°	1000	-	●	●	●	6	-	62	1,048	51	192	-
2	Algodón (2): blancos y colores delicados poco sucios.	40°	1000	-	●	●	●	6	-	62	0,864	52	186	-
3	Algodón: blancos sumamente sucios.	60°	1000	-	●	●	●	6	3,5	-	-	-	128	82
4	Algodón de color (3): blancos poco sucios y colores delicados.	40°	1000	-	●	●	●	6	3,5	62	0,82	53	90	82
5	Sintético: colores resistentes muy sucios.	60°	800	-	●	●	●	2,5	2	44	0,78	33	99	68
5	Sintético energética (4): colores resistentes muy sucios.	40°	800	-	●	●	●	2,5	2	44	0,49	32	90	68
6	Sintético: colores delicados poco sucios.	40°	800	-	●	●	●	2,5	2	-	-	-	70	68
Programas Especiales														
7	Lana: para lana, cachemira, etc.	40°	800	-	●	-	●	1,5	-	-	-	-	72	-
8	Seda/Cortinas: para prendas de seda, viscosa, lencería.	30°	0	-	●	-	●	1	-	-	-	-	55	-
9	Jeans	40°	800	-	●	-	●	3	-	-	-	-	58	-
10	Express: para refrescar rápidamente prendas poco sucias (no se aconseja utilizarlo para lana, seda y prendas para lavar a mano).	30°	800	-	●	-	●	1,5	-	71	0,12	27	15	-
Sport														
11	Sport Intensive	30°	600	-	●	-	●	3	-	-	-	-	83	-
12	Sport Light	30°	600	-	●	-	●	3	-	-	-	-	58	-
13	Sport Shoes	30°	600	-	●	-	●	Max. 2 pares	-	-	-	-	54	-
Programas Parciales														
	Aclarado	-	1000	-	-	●	●	6	-	-	-	-	36	-
	Centrifugado	-	1000	-	-	-	-	6	-	-	-	-	16	-
	Descarga	-	0	-	-	-	-	6	-	-	-	-	2	-

La duración del ciclo que se indica en el visor o en el manual es una estimación calculada en base a condiciones estándar. El tiempo efectivo puede variar en función de numerosos factores como la temperatura y la presión del agua de entrada, la temperatura ambiente, la cantidad de detergente, la cantidad y el tipo de carga, el equilibrado de la carga y las opciones adicionales seleccionadas.

Para todos los Test Institutes:

1) Programa de control según la norma 2010/1061: seleccione el programa 2 con una temperatura de 60°C y 40°C.

Este ciclo es adecuado para limpiar una carga de algodón normalmente sucia, es el más eficiente en lo que se refiere al consumo combinado con la energía y la cantidad de agua y se usa con prendas lavables a 60°C y 40°C. La temperatura efectiva de lavado puede diferir de la indicada.

2) Programa algodón largo: seleccione el programa 2 con una temperatura de 40°C.

3) Programa algodón corto: seleccione el programa 4 con una temperatura de 40°C.

4) Programa Sintético de largo: seleccione el programa 5 con una temperatura de 40°C.

Programas particulares

Express (programa 10) fue estudiado para lavar prendas ligeramente sucias y en poco tiempo: dura sólo 15 minutos y de esa manera permite ahorrar energía y tiempo. Seleccionando el programa (10 a 30°C) es posible lavar conjuntamente tejidos de distinto tipo (excluidas lana y seda), con una carga máxima de 1,5 kg.

Sport Intensive (programa 11) ha sido estudiado para lavar tejidos usados en prendas deportivas (chándales, pantalones cortos, etc.) muy sucios; para obtener los mejores resultados es aconsejable no superar la carga máxima indicada en la "Tabla de programas".

Sport Light (programa 12) ha sido estudiado para lavar tejidos usados en prendas deportivas (chándales, pantalones cortos, etc.) poco sucios; para obtener los mejores resultados es aconsejable no superar la carga máxima indicada en la "Tabla de programas". Se recomienda utilizar detergente líquido y la dosis correspondiente a la media carga.

Sport Shoes (programa 13) ha sido estudiado para lavar calzado deportivo; para obtener los mejores resultados no lave más de 2 pares a la vez.

Seleccionar la temperatura

Girando el mando de la TEMPERATURA se selecciona la temperatura de lavado (ver la *Tabla de programas*).

La temperatura se puede disminuir hasta el lavado en frío (❄).

La máquina impedirá automáticamente seleccionar una temperatura mayor que la máxima prevista para cada programa.

Seleccionar el centrifugado

Girando el mando de CENTRIFUGADO se selecciona la velocidad de centrifugado del programa seleccionado.

Las velocidades máximas previstas para los programas son:

Programas	Velocidad máxima
Algodón	1000 r.p.m.
Sintéticos	800 r.p.m.
Lana	800 r.p.m.
Seda	sólo descarga

Se puede disminuir la velocidad de centrifugado o excluirlo seleccionando el símbolo (🌀).

La máquina impedirá automáticamente efectuar un centrifugado a una velocidad mayor que la máxima prevista para cada programa.

Funciones

Las distintas funciones de lavado previstas por la lavadora permiten obtener la limpieza y el blanco deseados.

Para activar las funciones:

1. presione el botón correspondiente a la función deseada;
2. el encendido del piloto correspondiente indica que la función está activa.

Nota: El centelleo rápido del piloto indica que la función correspondiente no se puede seleccionar para el programa elegido.

EcoTime

Seleccionando esta opción, se optimizan el movimiento mecánico, la temperatura y el agua para una carga reducida de prendas de algodón y sintéticas poco sucias (ver la *"Tabla de programas"*).

Con "EcoTime" se puede lavar en un tiempo menor, ahorrando agua y energía. Se aconseja utilizar una dosis de detergente líquido adecuada a la cantidad de carga.

! No se puede activar con los programas 1, 2, 7, 8, 9, 10, 11, 12, 13, 🌀, 🕒, 🌊.

Antimancha

Ciclo de blanqueo adecuado para eliminar las manchas más resistentes. Recuerde verter el blanqueador en la cubeta adicional 4 (ver *"Ciclo de blanqueo"*).

! No se puede activar con los programas 1, 7, 8, 9, 10, 11, 12, 13, 🕒, 🌊.

Aclarado extra

Al elegir esta función aumentará la eficacia del aclarado y se asegurará la máxima eliminación del detergente. Es útil para pieles particularmente sensibles.

! No se puede activar con los programas 10, 🕒, 🌊.

Comienzo retrasado

Retrasa la puesta en marcha de la máquina hasta 12 horas.

Presione varias veces el botón hasta hacer encender la luz testigo correspondiente al retraso deseado. La quinta vez que se presione el botón, la función se desactivará.

Nota: Una vez presionado el botón PUESTA EN MARCHA/PAUSA, se puede modificar el valor del retraso sólo disminuyéndolo hasta que se ponga en marcha el programa seleccionado.

! Se puede utilizar en todos los programas.

Detergentes y ropa

ES

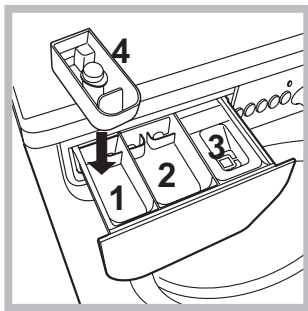
Contenedor de detergentes

El buen resultado del lavado depende también de la correcta dosificación del detergente: si se excede la cantidad, no se lava de manera más eficaz, sino que se contribuye a encostrar las partes internas de la lavadora y a contaminar el medio ambiente.

! No use detergentes para el lavado a mano porque producen demasiada espuma.

! Utilice detergentes en polvo para prendas de algodón blancas, para el prelavado y para lavados con una temperatura mayor que 60°C.

! Respete las indicaciones que se encuentran en el envase de detergente.



Extraiga el contenedor de detergentes e introduzca el detergente o el aditivo de la siguiente manera:

cubeta 1: Detergente para prelavado (en polvo)

Antes de verter el detergente, verifique que no esté colocada la cubeta adicional 4.

cubeta 2: Detergente para lavado (en polvo o líquido)

El detergente líquido se debe verter sólo antes de la puesta en marcha.

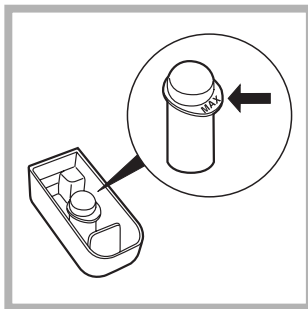
cubeta 3: Aditivos (suavizante, etc.)

El suavizante no se debe volcar fuera de la rejilla.

cubeta adicional 4: Blanqueador

Ciclo de blanqueo

! El blanqueador **tradicional** debe utilizarse para los tejidos resistentes blancos, mientras que el **delicado** debe utilizarse para la lana y los tejidos coloreados y sintéticos.



Introduzca la cubeta adicional 4 suministrada con el aparato, en la cubeta 1. Al verter el blanqueador no debe superar el nivel "máx." indicado en el perno central (véase la figura).

Para realizar sólo el blanqueo, vierta el blanqueador en la cubeta adicional 4, seleccione el programa "Aclarado" y active la función "Antimancha" .

Para blanquear durante el lavado, vierta el detergente y los aditivos, seleccione el programa deseado y active la función "Antimancha" .

El uso de la cubeta adicional 4 excluye el prelavado.

Preparar la ropa

- Subdivida la ropa según:
 - el tipo de tejido / el símbolo en la etiqueta.
 - los colores: separe las prendas de color y las blancas.
- Vacíe los bolsillos y controle los botones.
- No supere los valores indicados, referidos al peso de la ropa seca:
 - Tejidos resistentes: max 6 kg.
 - Tejidos sintéticos: max 2,5 kg.
 - Tejidos delicados: max 2 kg.
 - Lana: max 1,5 kg.
 - Seda: max 1 kg.

¿Cuánto pesa la ropa?

- 1 sábana 400/500 g
- 1 funda 150/200 g
- 1 mantel 400/500 g
- 1 albornoz 900/1200 g
- 1 toalla 150/250 g

Prendas especiales

Lana: con el programa 7 es posible lavar en la lavadora todas las prendas de lana, aún las que contienen la etiqueta "sólo lavado a mano" . Para obtener los mejores resultados utilice un detergente específico y no supere 1,5 Kg. de ropa.

Seda: utilice el programa correspondiente 8 para lavar todas las prendas de seda. Se aconseja el uso de un detergente específico para prendas delicadas.

Cortinas: pliéguelas y colóquelas dentro de una funda o de una bolsa de red. Utilice el programa 8.

Jeans: vuelva del revés las prendas antes del lavado y utilice un detergente líquido. Utilice el programa 9.

Sistema de equilibrado de la carga

Antes de cada centrifugado, para evitar vibraciones excesivas y para distribuir la carga de modo uniforme, el cesto realiza rotaciones a una velocidad ligeramente superior a la del lavado. Si después de varios intentos, la carga todavía no está correctamente equilibrada, la máquina realiza el centrifugado a una velocidad inferior a la prevista. Cuando existe un excesivo desequilibrio, la lavadora realiza la distribución antes que el centrifugado. Para obtener una mejor distribución de la carga y su correcto equilibrado, se aconseja mezclar prendas grandes y pequeñas.

! La lavadora fue proyectada y fabricada en conformidad con las normas internacionales de seguridad. Estas advertencias se suministran por razones de seguridad y deben ser leídas atentamente.

El consumidor debe contactar con la autoridad local o con el vendedor para informarse en relación a la correcta eliminación de su electrodoméstico viejo.

ES

Seguridad general

- Este aparato ha sido fabricado para un uso de tipo doméstico exclusivamente.
- El aparato no debe ser empleado por personas (niños incluidos) con capacidades físicas, sensoriales o mentales reducidas y con experiencias y conocimientos insuficientes, a menos que dicho uso no se realice bajo la supervisión o las instrucciones de una persona responsable de su seguridad. Los niños deben ser vigilados para asegurarse que no jueguen con el aparato.
- La lavadora debe ser utilizada sólo por personas adultas y siguiendo las instrucciones contenidas en este manual.
- No toque la máquina con los pies desnudos ni con las manos o los pies mojados o húmedos.
- No desenchufe la máquina tirando el cable, sino tomando el enchufe.
- No abra el contenedor de detergentes mientras la máquina está en funcionamiento.
- No toque el agua de descarga porque puede alcanzar temperaturas elevadas.
- En ningún caso fuerce la puerta: podría dañarse el mecanismo de seguridad que la protege de aperturas accidentales.
- En caso de avería, no acceda nunca a los mecanismos internos para intentar una reparación.
- Controle siempre que los niños no se acerquen a la máquina cuando está en funcionamiento.
- Durante el lavado, la puerta tiende a calentarse.
- Si debe ser trasladada, deberán intervenir dos o más personas, procediendo con el máximo cuidado. La máquina no debe ser desplazada nunca por una sola persona ya que es muy pesada.
- Antes de introducir la ropa controle que el cesto esté vacío.

Eliminaciones

- Eliminación del material de embalaje: respete las normas locales, de ese modo, los embalajes podrán volver a ser utilizados.
- En base a la Norma europea 2002/96/CE de Residuos de aparatos Eléctricos y Electrónicos, los electrodomésticos viejos no pueden ser arrojados en los contenedores municipales habituales; tienen que ser recogidos selectivamente para optimizar la recuperación y reciclado de los componentes y materiales que los constituyen, y reducir el impacto en la salud humana y el medioambiente. El símbolo del cubo de basura tachado se marca sobre todos los productos para recordar al consumidor la obligación de separarlos para la recogida selectiva.

Mantenimiento y cuidados

ES

Interrumpir el agua y la corriente eléctrica

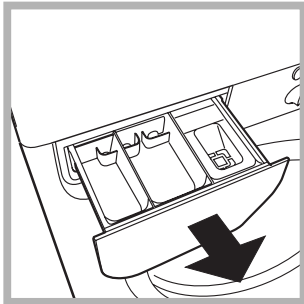
- Cierre el grifo de agua después de cada lavado. De este modo se limita el desgaste de la instalación hidráulica de la lavadora y se elimina el peligro de pérdidas.
- Desenchufe la máquina cuando la debe limpiar y durante los trabajos de mantenimiento.

Limpiar la lavadora

La parte externa y las partes de goma se pueden limpiar con un paño embebido en agua tibia y jabón. No use solventes ni productos abrasivos.

Limpiar el contenedor de detergentes

Extraiga el contenedor levantándolo y tirándolo hacia fuera (ver la figura).



Lávalo debajo del agua corriente, esta limpieza se debe realizar frecuentemente.

Cuidar la puerta y el cesto

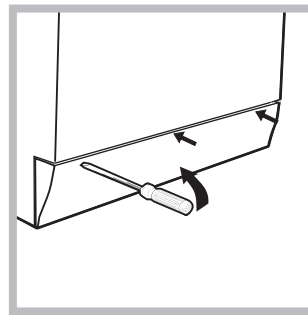
- Deje siempre semicerrada la puerta para evitar que se formen malos olores.

Limpiar la bomba

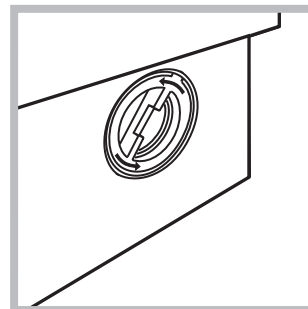
La lavadora posee una bomba autolimpiante que no necesita mantenimiento. Pero puede suceder que objetos pequeños (monedas, botones) caigan en la precámara que protege la bomba, situada en la parte inferior de la misma.

! Verifique que el ciclo de lavado haya terminado y desenchufe la máquina.

Para acceder a la precámara:



1. quite el panel que cubre la parte delantera de la lavadora con la ayuda de un destornillador (ver la figura);



2. desenrosque la tapa girándola en sentido antihorario (ver la figura): es normal que se vuelque un poco de agua;

3. limpie con cuidado el interior;
4. vuelva a enroscar la tapa;
5. vuelva a montar el panel verificando, antes de empujarlo hacia la máquina, que los ganchos se hayan introducido en las correspondientes ranuras.

Controlar el tubo de alimentación de agua

Controle el tubo de alimentación al menos una vez al año. Si presenta grietas o rajaduras debe ser sustituido: durante los lavados, las fuertes presiones podrían provocar roturas imprevistas.

! No utilice nunca tubos ya usados.

Puede suceder que la lavadora no funcione. Antes de llamar al Servicio de Asistencia Técnica (ver "Asistencia"), controle que no se trate de un problema de fácil solución utilizando la siguiente lista.

Anomalías:

Posibles causas / Solución:

La lavadora no se enciende.

- El enchufe no está introducido en la toma de corriente, o no hace contacto.
- En la casa no hay corriente.

El ciclo de lavado no comienza.

- La puerta no está correctamente cerrada.
- El botón ENCENDIDO/APAGADO no ha sido presionado.
- El botón PUESTA EN MARCHA/PAUSA no ha sido presionado.
- El grifo de agua no está abierto.
- Se fijó un retraso de la hora de puesta en marcha (ver "Personalizaciones").

La lavadora no carga agua (centellea rápidamente el piloto de la primera fase de lavado).

- El tubo de alimentación de agua no está conectado al grifo.
- El tubo está plegado.
- El grifo de agua no está abierto.
- En la casa no hay agua.
- No hay suficiente presión.
- El botón PUESTA EN MARCHA/PAUSA no ha sido presionado.

La lavadora carga y descarga agua continuamente.

- El tubo de descarga no está instalado entre los 65 y 100 cm. del suelo (ver "Instalación").
 - El extremo del tubo de descarga está sumergido en el agua (ver "Instalación").
 - La descarga de pared no posee un respiradero.
- Si después de estas verificaciones, el problema no se resuelve, cierre el grifo de agua, apague la lavadora y llame a la Asistencia. Si la vivienda se encuentra en uno de los últimos pisos de un edificio, es posible que se verifiquen fenómenos de sifonaje, por ello la lavadora carga y descarga agua de modo continuo. Para eliminar este inconveniente se encuentran disponibles en el comercio válvulas especiales que permiten evitar el sifonaje.

La lavadora no descarga o no centrifuga.

- El programa no prevé la descarga: con algunos programas es necesario ponerla en marcha manualmente.
- El tubo de descarga está plegado (ver "Instalación").
- El conducto de descarga está obstruido.

La lavadora vibra mucho durante la centrifugación.

- El cesto, en el momento de la instalación, no fue desbloqueado correctamente (ver "Instalación").
- La máquina no está instalada en un lugar plano (ver "Instalación").
- Existe muy poco espacio entre la máquina, los muebles y la pared (ver "Instalación").

La lavadora pierde agua.

- El tubo de alimentación de agua no está bien enroscado (ver "Instalación").
- El contenedor de detergentes está obstruido (para limpiarlo ver "Mantenimiento y cuidados").
- El tubo de descarga no está bien fijado (ver "Instalación").

Los pilotos de las "opciones" y el piloto de "puesta en marcha/pausa" parpadean y uno de los pilotos de la "fase en curso" y de "puerta bloqueada" quedan encendidos con la luz fija.

- Apague la máquina y desenchúfela, espere aproximadamente 1 minuto y luego vuelva a encenderla.
- Si la anomalía persiste, llame al Servicio de Asistencia Técnica.

Se forma demasiada espuma.

- El detergente no es específico para la lavadora (debe contener algunas de las frases "para lavadora", "a mano o en lavadora" o similares).
- La dosificación fue excesiva.

Asistencia

ES

Antes de llamar al Servicio de Asistencia Técnica:

- Verifique si la anomalía la puede resolver Ud. solo (ver "Anomalías y soluciones");
- Vuelva a poner en marcha el programa para controlar si el inconveniente fue resuelto;
- Si no es así, llame al Servicio de Asistencia técnica autorizado, al número de teléfono indicado en el certificado de garantía.

! No recurra nunca a técnicos no autorizados.

Comunique:

- el tipo de anomalía;
- el modelo de la máquina (Mod.);
- el número de serie (S/N).

Esta información se encuentra en la placa aplicada en la parte posterior de la lavadora y en la parte delantera abriendo la puerta.

La siguiente información es válida solo para España.

Para otros países de habla hispana consulte a su vendedor.

Ampliación de garantía

Llame al **902.363.539** y le informaremos sobre el fantástico plan de ampliación de garantía hasta 5 años.

Consiga una cobertura total adicional de

- Piezas y componentes
- Mano de obra de los técnicos
- Desplazamiento a su domicilio de los técnicos

Y NO PAGUE AVERIAS NUNCA MAS

Servicio de asistencia técnica (SAT)

Llame al **902.133.133** y nuestros técnicos intervendrán con rapidez y eficacia, devolviendo el electrodoméstico a sus condiciones óptimas de funcionamiento.

En el SAT encontrará recambios, accesorios y productos específicos para la limpieza y mantenimiento de su electrodoméstico a precios competitivos.

ESTAMOS A SU SERVICIO



Italiano

IWC 6103

Sommario

Installazione, 26-27

Disimballo e livellamento
Collegamenti idraulici ed elettrici
Primo ciclo di lavaggio
Dati tecnici

Descrizione della lavabiancheria e avviare un programma, 28-29

Pannello di controllo
Spie
Avviare un programma

Programmi, 30

Tabella dei programmi

Personalizzazioni, 31

Impostare la temperatura
Impostare la centrifuga
Opzioni

Detersivi e biancheria, 32

Cassetto dei detersivi
Ciclo candeggio
Preparare la biancheria
Capi particolari
Sistema bilanciamento del carico

Precauzioni e consigli, 33

Sicurezza generale
Smaltimento

Manutenzione e cura, 34

Escludere acqua e corrente elettrica
Pulire la lavabiancheria
Pulire il cassetto dei detersivi
Curare oblò e cestello
Pulire la pompa
Controllare il tubo di alimentazione dell'acqua

Anomalie e rimedi, 35

Assistenza, 36

Assistenza Attiva 7 giorni su 7

Installazione

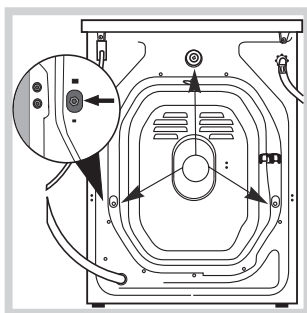
! È importante conservare questo libretto per poterlo consultare in ogni momento. In caso di vendita, di cessione o di trasloco, assicurarsi che resti insieme alla lavabiancheria per informare il nuovo proprietario sul funzionamento e sui relativi avvertimenti.

! Leggere attentamente le istruzioni: ci sono importanti informazioni sull'installazione, sull'uso e sulla sicurezza.

Disimballo e livellamento

Disimballo

1. Disimballare la lavabiancheria.
2. Controllare che la lavabiancheria non abbia subito danni nel trasporto. Se fosse danneggiata non collegarla e contattare il rivenditore.



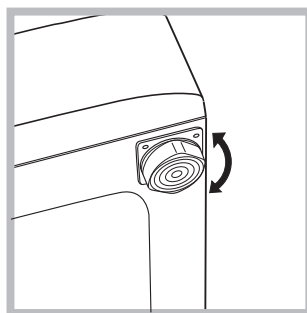
3. Rimuovere le 3 viti di protezione per il trasporto e il gommino con il relativo distanziale, posti nella parte posteriore (vedi figura).

4. Chiudere i fori con i tappi di plastica in dotazione.
5. Conservare tutti i pezzi: qualora la lavabiancheria debba essere trasportata, dovranno essere rimontati.

! Gli imballaggi non sono giocattoli per bambini.

Livellamento

1. Installare la lavabiancheria su un pavimento piano e rigido, senza appoggiarla a muri, mobili o altro.

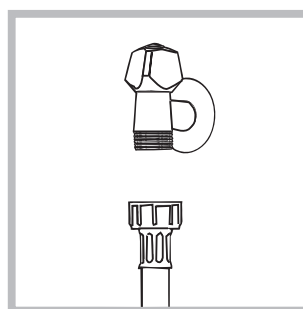


2. Se il pavimento non fosse perfettamente orizzontale, compensare le irregolarità svitando o avvitando i piedini anteriori (vedi figura); l'angolo di inclinazione, misurato sul piano di lavoro, non deve superare i 2°.

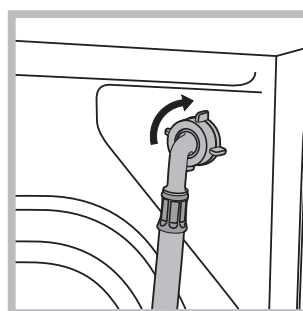
Un accurato livellamento dà stabilità alla macchina ed evita vibrazioni, rumori e spostamenti durante il funzionamento. In caso di moquette o di un tappeto, regolare i piedini in modo da conservare sotto la lavabiancheria uno spazio sufficiente per la ventilazione.

Collegamenti idraulici ed elettrici

Collegamento del tubo di alimentazione dell'acqua



1. Collegare il tubo di alimentazione avvitandolo a un rubinetto d'acqua fredda con bocca filettata da 3/4 gas (vedi figura). Prima di allacciare, far scorrere l'acqua finché non sia limpida.



2. Collegare il tubo di alimentazione alla lavabiancheria avvitandolo all'apposita presa d'acqua, nella parte posteriore in alto a destra (vedi figura).

3. Fare attenzione che nel tubo non ci siano né pieghe né strozzature.

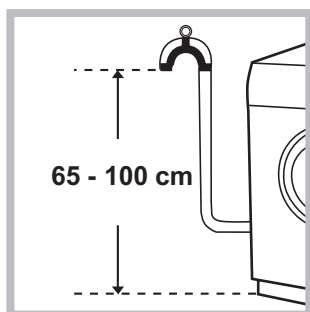
! La pressione idrica del rubinetto deve essere compresa nei valori della tabella Dati tecnici (vedi pagina a fianco).

! Se la lunghezza del tubo di alimentazione non fosse sufficiente, rivolgersi a un negozio specializzato o a un tecnico autorizzato.

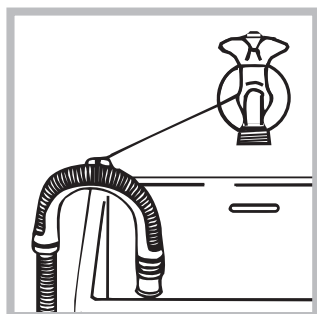
! Non utilizzare mai tubi già usati.

! Utilizzare quelli in dotazione alla macchina.

Collegamento del tubo di scarico



Collegare il tubo di scarico, senza piegarlo, a una conduttura di scarico o a uno scarico a muro posti tra 65 e 100 cm da terra;



oppure appoggiarlo al bordo di un lavandino o di una vasca, legando la guida in dotazione al rubinetto (vedi figura). L'estremità libera del tubo di scarico non deve rimanere immersa nell'acqua.

! È sconsigliato usare tubi di prolunga; se indispensabile, la prolunga deve avere lo stesso diametro del tubo originale e non superare i 150 cm.

Collegamento elettrico

Prima di inserire la spina nella presa della corrente, accertarsi che:

- la presa abbia la messa a terra e sia a norma di legge;
- la presa sia in grado di sopportare il carico massimo di potenza della macchina, indicato nella tabella Dati tecnici (vedi a fianco);
- la tensione di alimentazione sia compresa nei valori indicati nella tabella Dati tecnici (vedi a fianco);
- la presa sia compatibile con la spina della lavabiancheria. In caso contrario sostituire la presa o la spina.

! La lavabiancheria non va installata all'aperto, nemmeno se lo spazio è riparato, perché è molto pericoloso lasciarla esposta a pioggia e temporali.

! A lavabiancheria installata, la presa della corrente deve essere facilmente raggiungibile.

! Non usare prolunghe e multiple.



! Il cavo non deve subire piegature o compressioni.

! Il cavo di alimentazione deve essere sostituito solo da tecnici autorizzati.

Attenzione! L'azienda declina ogni responsabilità qualora queste norme non vengano rispettate.

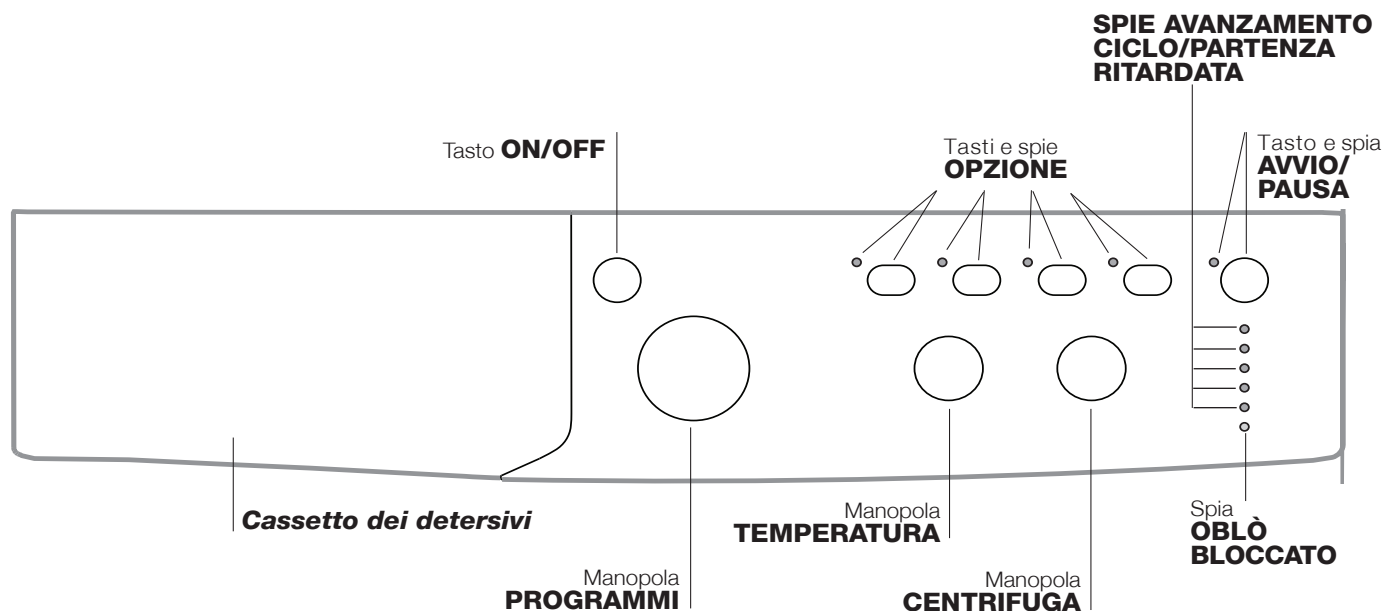
Primo ciclo di lavaggio

Dopo l'installazione, prima dell'uso, effettuare un ciclo di lavaggio con detersivo e senza biancheria impostando il programma **2**.

Dati tecnici	
Modello	IWC 6103
Dimensioni	larghezza cm 59,5 altezza cm 85 profondità cm 52,5
Capacità	da 1 a 6 kg
Collegamenti elettrici	vedi la targhetta caratteristiche tecniche applicata sulla macchina
Collegamenti idrici	pressione massima 1 MPa (10 bar) pressione minima 0,05 MPa (0,5 bar) capacità del cesto 46 litri
Velocità di centrifuga	sino a 1000 giri al minuto
Programmi di controllo secondo la direttive 1061/2010 e 1015/2010	Programma 2: temperatura 60°C e 40°C
 	Questa apparecchiatura è conforme alle seguenti Direttive Comunitarie: - 2004/108/CE (Compatibilità Elettromagnetica) - 2002/96/CE - 2006/95/CE (Bassa Tensione)

Descrizione della lavabiancheria e avviare un programma

Pannello di controllo



Cassetto dei detersivi: per caricare detersivi e additivi (vedi "Detersivi e biancheria").

Tasto **ON/OFF:** per accendere e spegnere la lavabiancheria.

Manopola **PROGRAMMI:** per impostare i programmi. Durante il programma la manopola resterà ferma.

Tasti e spie **OPZIONE:** per selezionare le opzioni disponibili. La spia relativa all'opzione selezionata rimarrà accesa.

Manopola **CENTRIFUGA:** per impostare la centrifuga o escluderla (vedi "Personalizzazioni").

Manopola **TEMPERATURA:** per impostare la temperatura o il lavaggio a freddo (vedi "Personalizzazioni").


SPIE AVANZAMENTO CICLO/PARTENZA RITARDATA: per seguire lo stato di avanzamento del programma di lavaggio.

La spia accesa indica la fase in corso.

Se è stata impostata l'opzione "Partenza Ritardata", indicheranno il tempo mancante all'avvio del programma (vedi pagina a fianco).

Spia **OBLÒ BLOCCATO:** per capire se l'oblò è apribile (vedi pagina a fianco).

Tasto e spia **AVVIO/PAUSA:** per avviare i programmi o interromperli momentaneamente.

N.B.: per mettere in pausa il lavaggio in corso, premere questo tasto, la spia relativa lampeggerà con colore arancione mentre quella della fase in corso sarà accesa fissa. Se la spia OBLÒ BLOCCATO  sarà spenta, si potrà aprire l'oblò.

Per far ripartire il lavaggio dal punto in cui è stato interrotto, premere nuovamente questo tasto.

Standby

Questa lavatrice, in conformità alle nuove normative legate al risparmio energetico, è dotata di un sistema di autospegnimento (stand by) che entra in funzione dopo 30 minuti nel caso di non utilizzo. Premere brevemente il tasto ON-OFF e attendere che la macchina si riattivi.

Consumo in off-mode: 1W

Consumo in Left-on: 1W

Spie

Le spie forniscono informazioni importanti. Ecco che cosa dicono:

Partenza ritardata

Se è stata attivata l'opzione "Partenza ritardata" (vedi "Personalizzazioni"), dopo avere avviato il programma, inizierà a lampeggiare la spia relativa al ritardo selezionato:



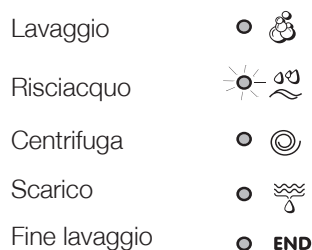
Col trascorrere del tempo verrà visualizzato il ritardo residuo con il lampeggio della spia relativa:



Trascorso il ritardo selezionato avrà inizio il programma impostato.

Spie fase in corso

Una volta selezionato e avviato il ciclo di lavaggio desiderato, le spie si accenderanno progressivamente per indicarne lo stato di avanzamento:



Tasti opzione e relative spie

Selezionando un'opzione la spia relativa si illuminerà. Se l'opzione selezionata non è compatibile con il programma impostato la spia relativa lampeggerà e l'opzione non verrà attivata.


Se l'opzione selezionata non è compatibile con un'altra precedentemente impostata, la spia relativa alla prima funzione selezionata lampeggerà e verrà attivata solo la seconda, la spia dell'opzione attivata si illuminerà.

Spia oblò bloccato

La spia accesa indica che l'oblò è bloccato per impedire l'apertura; per aprire l'oblò è necessario che la spia sia spenta (attendere 3 minuti circa).

Per aprire l'oblò mentre un ciclo è in corso premere il pulsante AVVIO/PAUSA; se la spia OBLÒ BLOCCATO è spenta sarà possibile aprire l'oblò.

Avviare un programma

1. Accendere la lavabiancheria premendo il tasto ON/OFF. Tutte le spie si accenderanno per qualche secondo, poi si spegneranno e pulserà la spia AVVIO/PAUSA.
2. Caricare la biancheria e chiudere l'oblò.
3. Impostare con la manopola PROGRAMMI il programma desiderato.
4. Impostare la temperatura di lavaggio (vedi "Personalizzazioni").
5. Impostare la velocità di centrifuga (vedi "Personalizzazioni").
6. Versare detersivo e additivi (vedi "Detersivi e biancheria").
7. Selezionare le opzioni desiderate.
8. Avviare il programma premendo il tasto AVVIO/PAUSA e la spia relativa rimarrà accesa fissa di colore verde. Per annullare il ciclo impostato mettere la macchina in pausa premendo il tasto AVVIO/PAUSA e scegliere un nuovo ciclo.
9. Al termine del programma si illuminerà la spia **END**. Quando la spia **OBLÒ BLOCCATO**  si spegnerà sarà possibile aprire l'oblò. Estrarre la biancheria e lasciare l'oblò socchiuso per far asciugare il cestello. Spegnerne la lavabiancheria premendo il tasto ON/OFF.

Programmi

Tabella dei programmi

Programmi	Descrizione del Programma	Temp. max. (°C)	Velocità max. (giri al minuto)	Detersivi				Carico max. (Kg)		Umidità residua %	Consumo energia kWh	Acqua totale lt	Durata ciclo	
				Prelavaggio	Lavaggio	Candeggina	Ammorbidente	Normale	Eco Time				Normale	Eco Time
Giornalieri														
1	Cotone con prelavaggio: bianchi estremamente sporchi.	90°	1000	●	●	-	●	6	-	62	1,84	64	152	-
2	Cotone bianchi: bianchi estremamente sporchi.	90°	1000	-	●	●	●	6	-	62	1,77	58	137	-
2	Cotone bianchi (1-2): bianchi e colorati resistenti molto sporchi.	60°	1000	-	●	●	●	6	-	62	1,048	51	192	-
2	Cotone bianchi (2): bianchi poco sporchi e colori delicati.	40°	1000	-	●	●	●	6	-	62	0,864	52	186	-
3	Cotone: bianchi e colorati resistenti molto sporchi.	60°	1000	-	●	●	●	6	3,5	-	-	-	128	82
4	Cotone Colorati (3): bianchi poco sporchi e colori delicati.	40°	1000	-	●	●	●	6	3,5	62	0,82	53	90	82
5	Sintetico energetico: colori resistenti molto sporchi.	60°	800	-	●	●	●	2,5	2	44	0,78	33	99	68
5	Sintetico energetico (4): colori resistenti molto sporchi.	40°	800	-	●	●	●	2,5	2	44	0,49	32	90	68
6	Sintetico delicato: colori delicati poco sporchi.	40°	800	-	●	●	●	2,5	2	-	-	-	70	68
Speciali														
7	Lana: per lana, cachemire, ecc..	40°	800	-	●	-	●	1,5	-	-	-	-	72	-
8	Seta e tende: per capi in seta, viscosa, lingerie.	30°	0	-	●	-	●	1	-	-	-	-	55	-
9	Jeans	40°	800	-	●	-	●	3	-	-	-	-	58	-
10	Express: Per rinfrescare rapidamente capi poco sporchi (non indicato per la lana, seta e capi da lavare a mano).	30°	800	-	●	-	●	1,5	-	71	0,12	27	15	-
Sport														
11	Sport Intensive	30°	600	-	●	-	●	3	-	-	-	-	83	-
12	Sport Light	30°	600	-	●	-	●	3	-	-	-	-	58	-
13	Special Shoes	30°	600	-	●	-	●	Max. 2 Paia	-	-	-	-	54	-
Parziali														
	Risciacquo	-	1000	-	-	●	●	6	-	-	-	-	36	-
	Centrifuga	-	1000	-	-	-	-	6	-	-	-	-	16	-
	Scarico	-	0	-	-	-	-	6	-	-	-	-	2	-

La durata del ciclo indicata sul display o sul libretto è una stima calcolata in base a condizioni standard. Il tempo effettivo può variare in base a numerosi fattori quali la temperatura e la pressione dell'acqua in ingresso, la temperatura ambiente, la quantità di detersivo, la quantità ed il tipo di carico, il bilanciamento del carico, le opzioni aggiuntive selezionate.

Per tutti Test Institutes:

- 1) Programma di controllo secondo la norma 2010/1061: impostare il programma 2 con una temperatura di 60°C e 40°C. Questo ciclo è adatto per pulire un carico di cotone normalmente sporco ed è il più efficiente in termini di consumo combinato di energia e di acqua, da usare su capi lavabili a 60 °C e a 40°C. La temperatura effettiva di lavaggio può differire da quella indicata.
- 2) Programma cotone lungo: impostare il programma 2 con una temperatura di 40°C.
- 3) Programma cotone corto: impostare il programma 4 con una temperatura di 40°C.
- 4) Programma sintetico lungo: impostare il programma 5 con una temperatura di 40°C.

Programmi particolari

Express (programma 10) è studiato per lavare capi leggermente sporchi in poco tempo: dura solo 15 minuti e fa così risparmiare energia e tempo. Impostando il programma (10 a 30°C) è possibile lavare insieme tessuti di diversa natura (esclusi lana e seta) con un carico massimo di 1,5 kg.

Sport Intensive (programma 11) è studiato per lavare tessuti per abbigliamento sportivo (tute, calzoncini, ecc.) molto sporchi; per ottenere i migliori risultati è consigliabile non superare il carico massimo indicato nella "Tabella dei programmi".

Sport Light (programma 12) è studiato per lavare tessuti per abbigliamento sportivo (tute, calzoncini, ecc.) poco sporchi; per ottenere i migliori risultati è consigliabile non superare il carico massimo indicato nella "Tabella dei programmi". Si raccomanda di usare detersivo liquido, usare una dose adatta a mezzo carico.

Sport Shoes (programma 13) è studiato per lavare scarpe sportive; per ottenere i migliori risultati non lavarne più di 2 paia.

Impostare la temperatura

Ruotando la manopola TEMPERATURA si imposta la temperatura di lavaggio (vedi *Tabella programmi*).

La temperatura si può ridurre sino al lavaggio a freddo ❄️.

La macchina impedirà automaticamente di impostare una temperatura maggiore a quella massima prevista per ogni programma.

Impostare la centrifuga

Ruotando la manopola CENTRIFUGA si imposta la velocità di centrifuga del programma selezionato.

Le velocità massime previste per i programmi sono:

Programmi	Velocità massima
Cotone	1000 giri al minuto
Sintetici	800 giri al minuto
Lana	800 giri al minuto
Seta	solo scarico

La velocità di centrifuga può essere ridotta, oppure esclusa selezionando il simbolo .

La macchina impedirà automaticamente di effettuare una centrifuga maggiore a quella massima prevista per ogni programma.

Opzioni

Le varie opzioni di lavaggio previste dalla lavabiancheria permettono di ottenere la pulizia e il bianco desiderati.

Per attivare le opzioni:

1. premere il tasto relativo all'opzione desiderata;
2. l'accensione della spia relativa segnala che l'opzione è attiva.

Nota: Il lampeggio veloce della spia indica che l'opzione relativa non è selezionabile per il programma impostato.

EcoTime

Selezionando questa opzione la movimentazione meccanica, la temperatura e l'acqua sono ottimizzate per un carico ridotto di cotone e sintetici poco sporchi (vedi *"Tabella dei programmi"*).

Con "EcoTime" puoi lavare in tempi ridotti, risparmiando acqua ed energia. Si consiglia di utilizzare una dose di detersivo liquido adatta alla quantità di carico.

! Non è attivabile sui programmi 1, 2, 7, 8, 9, 10, 11, 12, 13, , , .

Antimacchia

Ciclo di candeggio adatto a eliminare le macchie più resistenti. Ricordarsi di versare la candeggina nella vaschetta aggiuntiva 4 (vedi *"Ciclo candeggio"*).

! Non è attivabile sui programmi 1, 7, 8, 9, 10, 11, 12, 13, , .

Extra risciacquo

Selezionando questa funzione si aumenta l'efficacia del risciacquo, e si assicura la massima rimozione del detersivo. E' utile per pelli particolarmente sensibili.

! Non è attivabile sui programmi 10, , .

Partenza ritardata

Ritarda l'avvio della macchina sino a 12 ore.

Premere più volte il tasto fino a far accendere la spia relativa al ritardo desiderato. Alla quinta pressione del tasto la l'opzione si disattiverà.

N.B.: Una volta premuto il tasto AVVIO/PAUSA, si può modificare il valore del ritardo solo diminuendolo fino ad avviare il programma impostato.

! E' attivo con tutti i programmi.

Detersivi e biancheria

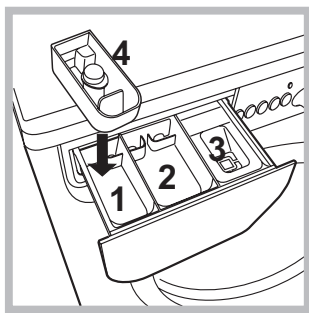
Cassetto dei detersivi

Il buon risultato del lavaggio dipende anche dal corretto dosaggio del detersivo: eccedendo non si lava in modo più efficace e si contribuisce a incrostare le parti interne della lavabiancheria e a inquinare l'ambiente.

! Non usare detersivi per il lavaggio a mano, perché formano troppa schiuma.

! Usare detersivi in polvere per capi in cotone bianchi e per il prelavaggio e per lavaggi con temperatura superiore a 60°C.

! Seguire le indicazioni riportate sulla confezione di detersivo.



Estrarre il cassetto dei detersivi e inserire il detersivo o l'additivo come segue.

vaschetta 1: Detersivo per prelavaggio (in polvere)

Prima di versare il detersivo verificare che non sia inserita la vaschetta aggiuntiva 4.

vaschetta 2: Detersivo per lavaggio (in polvere o liquido)

Il detersivo liquido va versato solo prima dell'avvio.

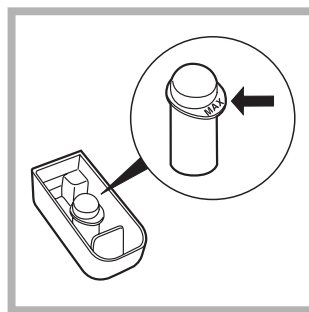
vaschetta 3: Additivi (ammorbidente, ecc.)

L'ammorbidente non deve fuoriuscire dalla griglia.

vaschetta aggiuntiva 4: Candeggina

Ciclo candeggina

! La candeggina **tradizionale** si usa per i tessuti resistenti bianchi, quella **delicata** per i tessuti colorati, i sintetici e per la lana.



Inserire la vaschetta aggiuntiva 4, in dotazione, nella vaschetta 1.

Nel dosare la candeggina non superare il livello "max" indicato sul perno centrale (vedi figura).

Per effettuare solo il candeggina versare la candeggina nella vaschetta aggiuntiva 4, impostare il programma "Risciacquo" e attivare la funzione "Antimacchia".

Per candeggiare durante il lavaggio versare il detersivo e gli additivi, impostare il programma desiderato e attivare la funzione "Antimacchia".

L'utilizzo della vaschetta aggiuntiva 4 esclude il prelavaggio.

Preparare la biancheria

- Suddividere la biancheria secondo:
 - il tipo di tessuto / il simbolo sull'etichetta.
 - i colori: separare i capi colorati da quelli bianchi.
- Vuotare le tasche e controllare i bottoni.
- Non superare i valori indicati, riferiti al peso della biancheria asciutta:
 - Tessuti resistenti: max 6 kg
 - Tessuti sintetici: max 2,5 kg
 - Tessuti delicati: max 2 kg
 - Lana: max 1,5 kg
 - Seta: max. 1 kg

Quanto pesa la biancheria?

- 1 lenzuolo 400-500 gr.
- 1 federa 150-200 gr.
- 1 tovaglia 400-500 gr.
- 1 accappatoio 900-1.200 gr.
- 1 asciugamano 150-250 gr.

Capi particolari

Lana: con il programma 7 è possibile lavare in lavatrice tutti i capi in lana, anche quelli con l'etichetta "solo lavaggio a mano". Per ottenere i migliori risultati utilizzare un detersivo specifico e non superare 1,5 kg di bucato.

Seta: utilizzare l'apposito programma 8 per lavare tutti i capi in seta. Si consiglia l'utilizzo di un detersivo specifico per capi delicati.

Tende: si raccomanda di piegarle e sistemarle dentro una federa o un sacchetto a rete. Utilizzare il programma 8.

Jeans: rovesciare i capi prima del lavaggio ed utilizzare un detersivo liquido. Utilizzare il programma 9.

Sistema bilanciamento del carico

Prima di ogni centrifuga, per evitare vibrazioni eccessive e per distribuire il carico in modo uniforme, il cestello effettua delle rotazioni ad una velocità leggermente superiore a quella del lavaggio. Se al termine di ripetuti tentativi il carico non fosse ancora correttamente bilanciato la macchina effettua la centrifuga ad una velocità inferiore a quella prevista. In presenza di eccessivo sbilanciamento la lavabiancheria effettua la distribuzione anziché la centrifuga. Per favorire una migliore distribuzione del carico e il suo corretto bilanciamento si consiglia di mescolare capi grandi e piccoli.

! La lavabiancheria è stata progettata e costruita in conformità alle norme internazionali di sicurezza. Queste avvertenze sono fornite per ragioni di sicurezza e devono essere lette attentamente.

Per ulteriori informazioni, sulla corretta dismissione degli elettrodomestici, i detentori potranno rivolgersi al servizio pubblico preposto o ai rivenditori.

Sicurezza generale

- Questo apparecchio è stato concepito esclusivamente per un uso di tipo domestico.
- L'apparecchio non deve essere utilizzato da persone (bambini compresi) con capacità fisiche, sensoriali o mentali ridotte e con esperienze e conoscenze insufficienti, a meno che tale utilizzo non avvenga sotto la supervisione o le istruzioni di una persona responsabile della loro sicurezza. I bambini devono essere sorvegliati per garantire che non giochino con l'apparecchio.
- Non toccare la macchina a piedi nudi o con le mani o i piedi bagnati o umidi.
- Non staccare la spina dalla presa della corrente tirando il cavo, bensì afferrando la spina.
- Non aprire il cassetto dei detersivi mentre la macchina è in funzione.
- Non toccare l'acqua di scarico, che può raggiungere temperature elevate.
- Non forzare in nessun caso l'oblò: potrebbe danneggiarsi il meccanismo di sicurezza che protegge da aperture accidentali.
- In caso di guasto, in nessun caso accedere ai meccanismi interni per tentare una riparazione.
- Controllare sempre che i bambini non si avvicinino alla macchina in funzione.
- Durante il lavaggio l'oblò tende a scaldarsi.
- Se dev'essere spostata, lavorare in due o tre persone con la massima attenzione. Mai da soli perché la macchina è molto pesante.
- Prima di introdurre la biancheria controlla che il cestello sia vuoto.

Smaltimento

- Smaltimento del materiale di imballaggio: attenersi alle norme locali, così gli imballaggi potranno essere riutilizzati.
- La direttiva Europea 2002/96/CE sui rifiuti di apparecchiature elettriche ed elettroniche, prevede che gli elettrodomestici non debbano essere smaltiti nel normale flusso dei rifiuti solidi urbani. Gli apparecchi dismessi devono essere raccolti separatamente per ottimizzare il tasso di recupero e riciclaggio dei materiali che li compongono ed impedire potenziali danni per la salute e l'ambiente. Il simbolo del cestino barrato è riportato su tutti i prodotti per ricordare gli obblighi di raccolta separata.

Manutenzione e cura

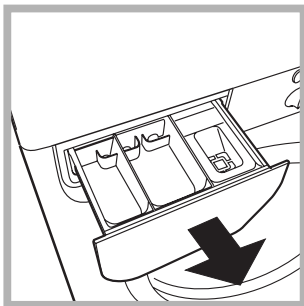
Escludere acqua e corrente elettrica

- Chiudere il rubinetto dell'acqua dopo ogni lavaggio. Si limita così l'usura dell'impianto idraulico della lavabiancheria e si elimina il pericolo di perdite.
- Staccare la spina della corrente quando si pulisce la lavabiancheria e durante i lavori di manutenzione.

Pulire la lavabiancheria

La parte esterna e le parti in gomma possono essere puliti con un panno imbevuto di acqua tiepida e sapone. Non usare solventi o abrasivi.

Pulire il cassetto dei detersivi



Sfilare il cassetto sollevandolo e tirandolo verso l'esterno (vedi figura). Lavarlo sotto l'acqua corrente; questa pulizia va effettuata frequentemente.

Curare oblò e cestello

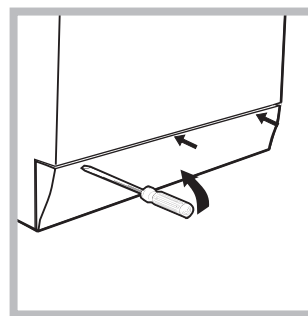
- Lasciare sempre socchiuso l'oblò per evitare che si formino cattivi odori.

Pulire la pompa

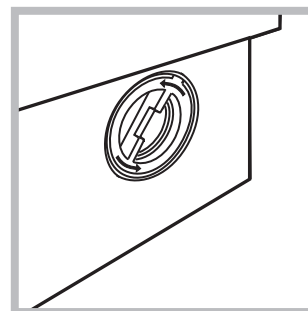
La lavabiancheria è dotata di una pompa autopulente che non ha bisogno di manutenzione. Può però succedere che piccoli oggetti (monete, bottoni) cadano nella precamera che protegge la pompa, situata nella parte inferiore di essa.

! Assicurarsi che il ciclo di lavaggio sia terminato e staccare la spina.

Per accedere alla precamera:



1. rimuovere il pannello di copertura sul lato anteriore della lavabiancheria con l'ausilio di un giravite (vedi figura);



2. svitare il coperchio ruotandolo in senso antiorario (vedi figura): è normale che fuoriesca un po' d'acqua;

3. pulire accuratamente l'interno;
4. riavvitare il coperchio;
5. rimontare il pannello assicurandosi, prima di spingerlo verso la macchina, di aver inserito i ganci nelle apposite asole.

Controllare il tubo di alimentazione dell'acqua

Controllare il tubo di alimentazione almeno una volta all'anno. Se presenta screpolature e fessure va sostituito: durante i lavaggi le forti pressioni potrebbero provocare improvvise spaccature.

! Non utilizzare mai tubi già usati.

Può accadere che la lavabiancheria non funzioni. Prima di telefonare all'Assistenza (vedi "Assistenza"), controllare che non si tratti di un problema facilmente risolvibile aiutandosi con il seguente elenco.

Anomalie:

Possibili cause / Soluzione:

La lavabiancheria non si accende.

- La spina non è inserita nella presa della corrente, o non abbastanza da fare contatto.
- In casa non c'è corrente.

Il ciclo di lavaggio non inizia.

- L'oblò non è ben chiuso.
- Il tasto ON/OFF non è stato premuto.
- Il tasto AVVIO/PAUSA non è stato premuto.
- Il rubinetto dell'acqua non è aperto.
- Si è impostato un ritardo sull'ora di avvio (PARTENZA RITARDATA, vedi "Personalizzazioni").

La lavabiancheria non carica acqua (lampeggia velocemente la spia della prima fase di lavaggio).

- Il tubo di alimentazione dell'acqua non è collegato al rubinetto.
- Il tubo è piegato.
- Il rubinetto dell'acqua non è aperto.
- In casa manca l'acqua.
- Non c'è sufficiente pressione.
- Il tasto AVVIO/PAUSA non è stato premuto.

La lavabiancheria carica e scarica acqua di continuo.

- Il tubo di scarico non è installato fra 65 e 100 cm da terra (vedi "Installazione").
- L'estremità del tubo di scarico è immersa nell'acqua (vedi "Installazione").
- Lo scarico a muro non ha lo sfianto d'aria.

Se dopo queste verifiche il problema non si risolve, chiudere il rubinetto dell'acqua, spegnere la lavabiancheria e chiamare l'Assistenza. Se l'abitazione si trova agli ultimi piani di un edificio, è possibile che si verifichino fenomeni di sifonaggio, per cui la lavabiancheria carica e scarica acqua di continuo. Per eliminare l'inconveniente sono disponibili in commercio apposite valvole anti-sifonaggio.

La lavabiancheria non scarica o non centrifuga.

- Il programma non prevede lo scarico: con alcuni programmi occorre avviarlo manualmente.
- Il tubo di scarico è piegato (vedi "Installazione").
- La conduttura di scarico è ostruita.

La lavabiancheria vibra molto durante la centrifuga.

- Il cestello, al momento dell'installazione, non è stato sbloccato correttamente (vedi "Installazione").
- La lavabiancheria non è in piano (vedi "Installazione").
- La lavabiancheria è stretta tra mobili e muro (vedi "Installazione").

La lavabiancheria perde acqua.

- Il tubo di alimentazione dell'acqua non è ben avvitato (vedi "Installazione").
- Il cassetto dei detersivi è intasato (per pulirlo vedi "Manutenzione e cura").
- Il tubo di scarico non è fissato bene (vedi "Installazione").

Le spie delle "opzioni" e la spia di "avvio/pausa" lampeggiano e una delle spie della "fase in corso" e di "oblò bloccato" si accendono fisse.

- Spegnere la macchina e togliere la spina dalla presa, attendere circa 1 minuto quindi riaccenderla.
Se l'anomalia persiste, chiamare l'Assistenza.

Si forma troppa schiuma.

- Il detersivo non è specifico per lavabiancheria (deve esserci la dicitura "per lavatrice", "a mano e in lavatrice", o simili).
- Il dosaggio è stato eccessivo.

Assistenza

Prima di contattare l'Assistenza:

- Verificare se l'anomalia può essere risolta da soli (vedi "Anomalie e rimedi").
- Riavviare il programma per controllare se l'inconveniente è stato ovviato;
- In caso negativo, contattare il Numero Unico 199.199.199*.

! Non ricorrere mai a tecnici non autorizzati.

Comunicare:

- il tipo di anomalia;
- il modello della macchina (Mod.);
- il numero di serie (S/N).

Queste informazioni si trovano sulla targhetta applicata nella parte posteriore della lavabiancheria e nella parte anteriore aprendo l'oblò.

Assistenza Attiva 7 giorni su 7



In caso di necessità d'intervento chiamare il Numero Unico Nazionale 199.199.199*.

Un operatore sarà a completa disposizione per fissare un appuntamento con il Centro Assistenza Tecnico Autorizzato più vicino al luogo da cui si chiama.

È attivo 7 giorni su 7, sabato e domenica compresi, e non lascia mai inascoltata una richiesta.

* Al costo di 14,25 centesimi di Euro al minuto (iva inclusa) dal Lun. al Ven. dalle 08:00 alle 18:30, il Sab. dalle 08:00 alle 13:00 e di 5,58 centesimi di Euro al minuto (iva inclusa) dal Lun. al Ven. dalle 18:30 alle 08:00, il Sab. dalle 13:00 alle 08:00 e i giorni festivi, per chi chiama da telefono fisso.

Per chi chiama da radiomobile le tariffe sono legate al piano tariffario dell'operatore telefonico utilizzato.

Le suddette tariffe potrebbero essere soggette a variazione da parte dell'operatore telefonico; per maggiori informazioni consultare il sito www.aristonchannel.com.

Instruções para utilização

MÁQUINA DE LAVAR ROUPA

PT

Português

IWC 6103

Sumário

Instalação, 38-39

Desembalar e nivelar
Ligações hidráulicas e eléctricas
Primeiro ciclo de lavagem
Dados técnicos

Descrição da máquina de lavar roupa e como iniciar um programa, 40-41

Painel de comandos
Indicadores luminosos
Iniciar um programa

Programas, 42

Tabela dos programas

Personalizações, 43

Selecione a temperatura
Selecione a centrifugação
Funções

Detergentes e roupa, 44

Gaveta dos detergentes
Ciclo para branquear
Preparar a roupa
Peças especiais
Sistema de balanceamento da carga

Precauções e conselhos, 45

Segurança geral
Eliminação

Manutenção e cuidados, 46

Interromper a alimentação de água e de corrente eléctrica
Limpar a máquina de lavar roupa
Limpar a gaveta dos detergentes
Cuidados com a porta de vidro e o tambor
Limpar a bomba
Verificar o tubo de alimentação de água

Anomalias e soluções, 47

Assistência, 48

Instalação

PT

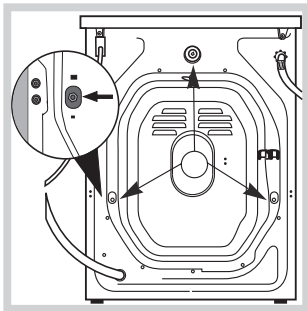
! É importante guardar este manual para poder consultá-lo a qualquer momento. Se a máquina for vendida, cedida ou transferida, certifique-se que este manual permaneça com a máquina para informar o novo proprietário acerca do seu funcionamento e das respectivas advertências.

! Leia com atenção estas instruções: há importantes informações acerca da instalação, da utilização e da segurança.

Desembalar e nivelar

Desembalar

1. Tire a máquina de lavar roupa da embalagem.
2. Verifique se a máquina de lavar roupa sofreu danos no transporte. Se estiver danificada não efectue a sua ligação e contacte o revendedor.



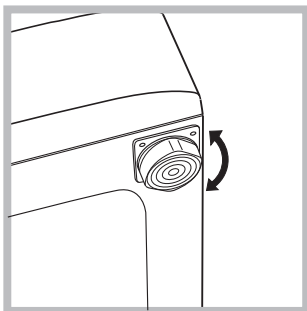
3. Tire os **3** parafusos de protecção para o transporte e a borrachinha com o respectivo calço, situados na parte traseira (veja a figura).

4. Tampe os furos com as tampas em plástico fornecidas.
5. Guarde todas as peças: se for necessário transportar a máquina de lavar roupa, terão de ser montadas outra vez.

! Embalagens não são brinquedos para as crianças!

Nivelamento

1. Instale a máquina de lavar roupa sobre um pavimento plano e rígido, sem encostá-la em paredes, móveis nem outro.

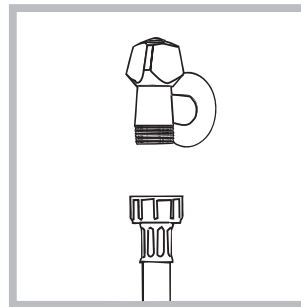


2. Se o pavimento não for perfeitamente horizontal, para compensar qualquer irregularidade, desatarraxe ou atarraxe os pés dianteiros (veja a figura); o ângulo de inclinação, medido no plano de trabalho, não deve ultrapassar 2°.

Um cuidadoso nivelamento dá estabilidade à máquina e evita vibrações, ruídos e deslocamentos durante o funcionamento. Se houver tapete ou alcatifa, regule os pés em modo que embaixo da máquina de lavar roupa deixe um espaço suficiente para ventilação.

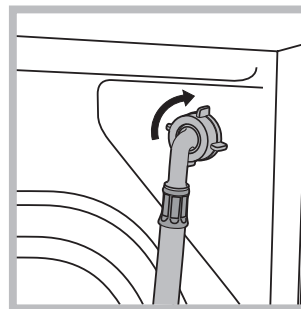
Ligações hidráulicas e eléctricas

Ligação do tubo de alimentação da água



1. Realize a ligação do tubo de alimentação parafusando-o a uma torneira de água fria com bocal de rosca de 3/4 gás (veja a figura).

Antes de realizar esta ligação, deixe a água escorrer até estar límpida.



2. Ligue o tubo de alimentação na máquina de lavar roupa atarraxando-o no apropriado fornecimento da água, na parte traseira, em cima à direita (veja a figura).

3. Tome cuidado para o tubo não ser dobrado nem esmagado.

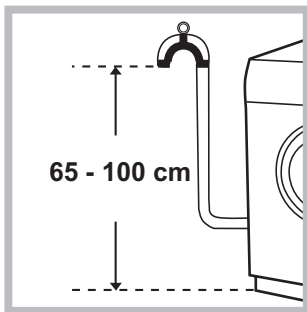
! A pressão hídrica da torneira deve ser entre os valores da tabela dos Dados técnicos (veja a página ao lado).

! Se o comprimento do tubo de alimentação não for suficiente, contacte uma oficina especializada ou um técnico autorizado.

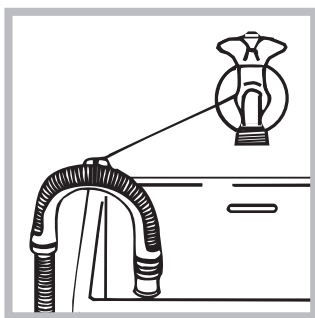
! Nunca utilize tubos já usados.

! Utilize aqueles fornecidos com a máquina.

Ligação do tubo de descarga



Ligue o tubo de descarga, sem dobrá-lo, a um conduto de descarga ou a uma descarga de parede colocados entre 65 e 100 cm do chão;



em alternativa, coloque na beira de um lavabo ou de uma banheira, prendendo na torneira a guia fornecida (veja a figura). A ponta solta do tubo de descarga não deve permanecer emergida na água.

! É desaconselhado empregar tubos de extensão; mas se for indispensável, a extensão deve ter o mesmo diâmetro do tubo original e não medir mais de 150 cm de comprimento.

Ligação eléctrica

Antes de ligar a ficha na tomada eléctrica, certifique-se que:

- a tomada tenha uma ligação à terra e seja nos termos da legislação;
- a tomada tenha a capacidade para suportar a carga máxima de potência da máquina, indicada na tabela dos Dados técnicos (veja ao lado);
- a tensão de alimentação seja entre os valores indicados na tabela dos Dados técnicos (veja ao lado);
- a tomada seja compatível com a ficha da máquina de lavar roupa. Se não for, substitua a tomada ou a ficha.

! Esta máquina de lavar roupa não deve ser instalada ao aberto, nem mesmo abrigada, porque é muito perigoso deixá-la exposta à chuva e às tempestades.

! Depois de ter instalado a máquina de lavar roupa, o acesso à tomada eléctrica deve ser fácil.

! Não empregue extensões nem fichas múltiplas.

! O cabo não deve ser dobrado nem apertado.

! O cabo de alimentação deve ser substituído somente por técnicos autorizados.

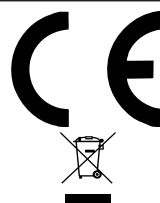
Atenção! O fabricante declina toda a responsabilidade se estas regras não forem respeitadas.

Primeiro ciclo de lavagem

Depois da instalação, antes de usar, efectue um ciclo de lavagem com detergente mas sem roupa, defina o programa 2.

Dados técnicos

Modelo	IWC 6103
Medidas	largura 59,5 cm. altura 85 cm. profundidade 52,5 cm.
Capacidade	de 1 a 6 kg.
Ligações eléctricas	Veja a placa das características técnicas colocada na máquina.
Ligações hídricas	pressão máxima 1 MPa (10 bars) pressão mínima 0,05 MPa (0,5 bar) capacidade do tambor 46 litros
Velocidade da centrifugação	até 1000 rotações por minuto
Programas de controlo conforme as directivas 1061/2010 e 1015/2010	Programa 2: temperatura 60°C e 40°C.



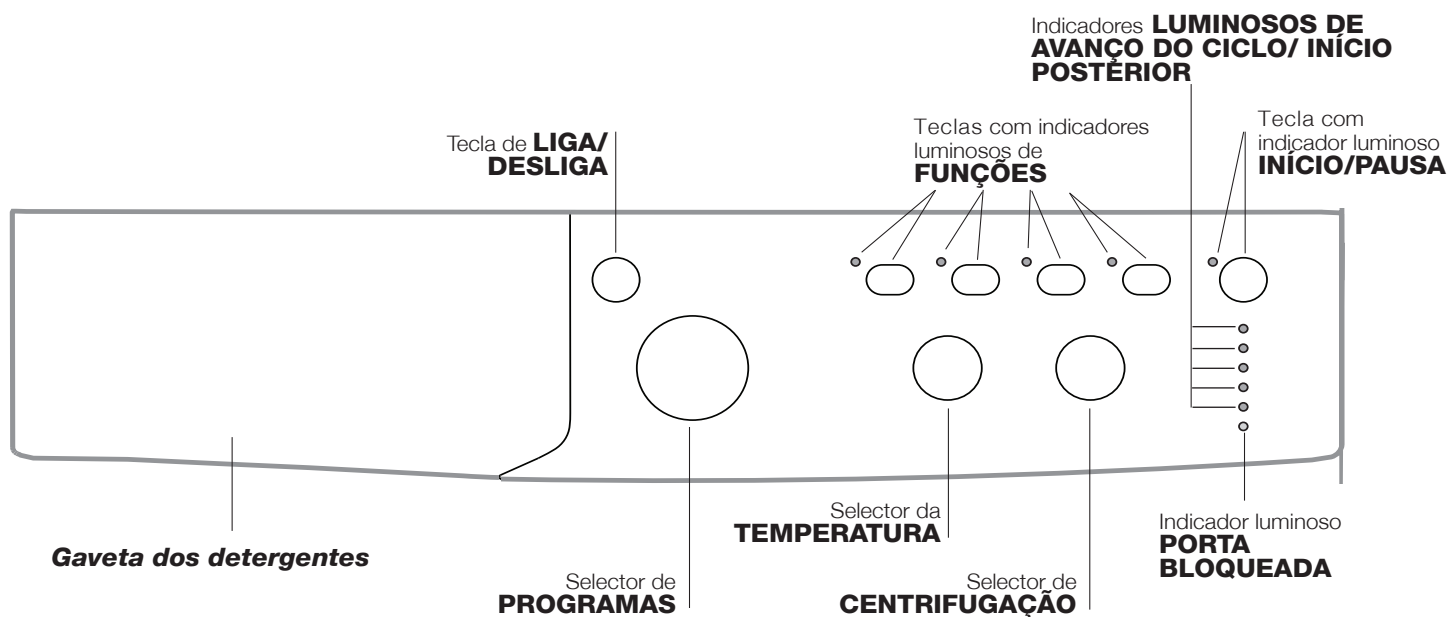
Esta aparelhagem é em conformidade com as seguintes Directivas Comunitárias:

- 2004/108/CE (Compatibilidade Electromagnética)
- 2002/96/CE
- 2006/95/CE (Baixa Tensão)

Descrição da máquina de lavar roupa e como iniciar um programa

PT

Painel de comandos



Gaveta dos detergentes: para colocar detergentes e aditivos (veja “Detergentes e roupa”).

Tecla de **LIGA/DESLIGA:** para ligar e desligar a máquina de lavar roupa.

Selector de **PROGRAMAS:** para programar os programas. Durante o programa o selector permanece parado.

Teclas com indicadores luminosos de **FUNÇÕES:** para seleccionar as funções disponíveis. O indicador luminoso correspondente à função seleccionada permanecerá aceso.

Selector de **CENTRIFUGAÇÃO:** para seleccionar a centrifugação ou desactivá-la (veja “Personalizações”).

Selector da **TEMPERATURA:** para definir a temperatura ou a lavagem a frio (veja “Personalizações”).

Indicadores **LUMINOSOS DE AVANÇO DO CICLO/ INÍCIO POSTERIOR:** para seguir o estado do avanço do programa de lavagem.

O indicador luminoso aceso indica a fase em curso. Se tiver sido seleccionada a função “Início posterior”, indicarão o tempo que falta para iniciar o programa (veja a página ao lado).

Indicador luminoso **PORTA BLOQUEADA:** para saber se a porta de vidro pode ser aberta (veja a página ao lado).

Tecla com indicador luminoso **INÍCIO/PAUSA:** para activar os programas ou interrompê-los momentaneamente. **Obs.:** para colocar em pausa a lavagem em curso, carregar nesta tecla, o respectivo indicador luminoso ficará intermitente com uma luz laranja enquanto aquele da fase em curso ficará aceso fixo. Se o indicador PORTA BLOQUEADA estiver apagado, será possível abrir a porta de vidro.

Para fazer iniciar a lavagem do ponto em que foi interrompida, carregar novamente nesta tecla.

Modalidade de Stand by

Esta máquina de lavar roupa, em conformidade com as novas normas sobre a economia energética, dispõe de um sistema de desligação automática (stand by) que entra em função aproximadamente 30 minutos depois, no caso de inutilização. Carregue brevemente no botão ON-OFF e aguarde até a reactivação da máquina.

Consumo em off-mode: 1W

Consumo em Left-on: 1W

Indicadores luminosos

Os indicadores luminosos fornecem informações importantes.

Vejamos o que significam:

Início posterior

Se tiver sido activada a função “Início posterior” (veja “Personalizações”) depois de ter iniciado o programa, começará a lampear o indicador luminoso relativo ao atraso seleccionado.

3h 

6h 

9h 

12h 

Com o passar do tempo será mostrado a atraso restante, mediante o respectivo indicador luminoso aceso intermitente:

3h 


6h 

9h 

12h 

Depois de ter passado o tempo de atraso seleccionado, começará o programa estabelecido.

Iniciar um programa

1. Para ligar a máquina de lavar roupa, mete na tecla de LIGA/DESLIGA. Todos os indicadores luminosos se acenderão por alguns segundos, em seguida apagam-se e ficará intermitente o indicador luminoso INÍCIO/PAUSA.
2. Coloque a roupa dentro da máquina e feche a porta.
3. Selecciona mediante o selector de PROGRAMAS o programa que desejar.
4. Selecciona a temperatura de lavagem (veja as “Personalizações”).
5. Selecciona a velocidade de centrifugação (veja as “Personalizações”).
6. Colocar detergentes e aditivos (veja “Detergentes e roupa”).
7. Selecciona as funções desejadas.
8. Iniciar o programa carregando na tecla INÍCIO/PAUSA e o respectivo indicador luminoso permanecerá aceso fixo de cor verde. Para anular o ciclo programado, colocar a máquina em pausa carregando na tecla INÍCIO/PAUSA e escolher um novo ciclo.
9. No fim do programa, irá iluminar-se o indicador END. Quando o indicador PORTA BLOQUEADA  estiver apagado, será possível abrir a porta de vidro. Retire a roupa lavada de dentro e deixe a porta entreaberta para deixar o tambor enxugar-se. Para desligar a máquina de lavar roupa, mete na tecla de LIGA/DESLIGA.

Indicadores luminosos fase em curso

Uma vez seleccionado e iniciado o ciclo de lavagem desejado, os indicadores luminosos se acenderão progressivamente para indicar o estado de avanço:

Lavagem	
Enxaguamento	
Centrifugação	
Descarga	
Final da Lavagem	

Teclas função e respectivos indicadores luminosos

Ao seleccionar uma função o respectivo indicador luminoso se acenderá.

Se a função seleccionada não for compatível com o programa definido, o indicador luminoso se acenderá intermitente e a função não será activada.

Se a função seleccionada não for compatível com uma outra programada anteriormente, o indicador luminoso relativo à primeira função seleccionada irá piscar e será activada somente a segunda, o indicador luminoso da função activada acender-se-á.




Indicador luminoso porta bloqueada

O indicador luminoso aceso indica que a porta está trancada para impedir a aberturas; para abrir a porta é necessário que o indicador luminoso se apague (aguarde aproximadamente 3 minutos). Para abrir a porta durante a realização de um ciclo, carregar no botão INÍCIO/PAUSA; se o indicador luminoso PORTA BLOQUEADA estiver apagado será possível abrir a porta.

Programas

PT

Tabela dos programas

Programas	Descrição do Programa	Temp. max. (°C)	Velocidade max. (rotações por minuto)	Detergentes				Carga max. (Kg)		Humidade residual %	Consumo de energia kWh	Água total lt	Duração ciclo	
				Pré-lavagem	Lavagem	Lixívia	Amaciador	Normal	Eco Time				Normal	Eco Time
Quotidiano														
1	Algodão Pré-lavagem 90°C: peças brancas extremamente sujas.	90°	1000	●	●	-	●	6	-	62	1,84	64	152	-
2	Algodão: brancos e coloridos resistentes muito sujos.	90°	1000	-	●	●	●	6	-	62	1,77	58	137	-
2	Algodão (1-2): brancos e coloridos resistentes muito sujos.	60°	1000	-	●	●	●	6	-	62	1,048	51	192	-
2	Algodão (2): brancos e coloridos delicados pouco sujos.	40°	1000	-	●	●	●	6	-	62	0,864	52	186	-
3	Algodão: brancos e coloridos resistentes muito sujos.	60°	1000	-	●	●	●	6	3,5	-	-	-	128	82
4	Algodão Coloridos (3): brancos pouco sujos e cores delicadas.	40°	1000	-	●	●	●	6	3,5	62	0,82	53	90	82
5	Sintéticos: coloridos resistentes muito sujos.	60°	800	-	●	●	●	2,5	2	44	0,78	33	99	68
5	Sintéticos enérgico (4): coloridos resistentes muito sujos.	40°	800	-	●	●	●	2,5	2	44	0,49	32	90	68
6	Sintéticos: coloridos delicados pouco sujos.	40°	800	-	●	●	●	2,5	2	-	-	-	70	68
Programas Especiais														
7	Lã: para lã, cashmere, etc.	40°	800	-	●	-	●	1,5	-	-	-	-	72	-
8	Seda / Cortinas: para roupas de seda, viscosa, lingerie.	30°	0	-	●	-	●	1	-	-	-	-	55	-
9	Jeans	40°	800	-	●	-	●	3	-	-	-	-	58	-
10	Express: para refrescar rapidamente roupas levemente sujas (não é indicado para lã, seda e roupas que deve ser lavadas à mão).	30°	800	-	●	-	●	1,5	-	71	0,12	27	15	-
Sport														
11	Sport Intensive	30°	600	-	●	-	●	3	-	-	-	-	83	-
12	Sport Light	30°	600	-	●	-	●	3	-	-	-	-	58	-
13	Sport Shoes	30°	600	-	●	-	●	Max. 2 Paia	-	-	-	-	54	-
Programas Parciais														
	Enxaguamentos	-	1000	-	-	●	●	6	-	-	-	-	36	-
	Centrifugação	-	1000	-	-	-	-	6	-	-	-	-	16	-
	Descarga	-	0	-	-	-	-	6	-	-	-	-	2	-

A duração do ciclo indicada no visor ou no manual é uma estimativa calculada com base nas condições padrão. O tempo efectivo poderá variar a depender de vários factores, tais como a temperatura e a pressão da água em entrada, a temperatura ambiental, a quantidade de detergente, a quantidade e o tipo de carga, o balanceamento da carga e as opções adicionais seleccionadas.

Para todos Test Institutes:

- 1) Programa de controlo segundo a norma 2010/1061: configurar o programa 2 com uma temperatura de 60°C e 40°C. Este ciclo é adaptado para lavar uma carga de algodão normalmente suja e é o mais eficiente em termos de consumo combinado de energia e de água, para lavar a 60°C e 40°C. A temperatura efectiva de lavagem pode ser diferente daquela indicada.
- 2) Programa longo para algodão: configurar o programa 2 com uma temperatura de 40°C.
- 3) Programa curto para algodão: configurar o programa 4 com uma temperatura de 40°C.
- 4) Sintético programa junto: configurar o programa 5 com uma temperatura de 40°C.

Programas especiais

Express (programa 10) foi estudado para lavar peças levemente sujas em pouco tempo: leva apenas 15 minutos e, desta maneira, economiza energia e tempo. Se regular o programa (10 a 30°C) será possível lavar juntos tecidos de natureza diferente (excepto lã e seda), com uma carga máxima de 1,5 Kg.

Sport Intensive (programa 11) foi estudado para lavar tecidos para vestuário desportivo (fatos de treino, calções, etc.) muito sujos; para obter os melhores resultados, recomenda-se não superar a carga máxima indicada na "Tabela dos programas".

Sport Light (programa 12) foi estudado para lavar tecidos para vestuário desportivo (fatos de treino, calções, etc.) pouco sujos; para obter os melhores resultados, recomenda-se não superar a carga máxima indicada na "Tabela dos programas". Recomenda-se o uso de detergente líquido, na dose adequada para a meia carga.

Sport Shoes (programa 13) foi estudado para lavar calçados desportivos; para obter os melhores resultados não lave mais de 2 pares por ciclo.

Selecione a temperatura

Gire o selector da TEMPERATURA para seleccionar a temperatura de lavagem (veja a *Tabela dos programas*).

A temperatura pode ser diminuída até a lavagem a frio (❄).

A máquina impedirá automaticamente a configuração de uma temperatura superior à máxima prevista para cada um dos programas.

Selecione a centrifugação

Gire o selector da CENTRIFUGAÇÃO para seleccionar a velocidade de centrifugação do programa seleccionado.

As velocidades máximas que há para os programas são:

Programas	Velocidade máxima
Algodão	1000 rotações por minuto
Sintéticos	800 rotações por minuto
Lã	800 rotações por minuto
Seda	somente descarga

A velocidade de centrifugação pode ser diminuída, ou excluída se seleccionar o símbolo (⊘).

A máquina impedirá automaticamente a realização de uma centrifugação superior à máxima de cada um dos programas.

Funções

As várias funções de lavagem da máquina de lavar roupa possibilitam obter-se a limpeza e o branco que desejar.

Para activar as funções:

1. mete na tecla relativa à função desejada;
2. o respectivo indicador luminoso acende-se para avisar que a função está activada.

Observação: Se um indicador luminoso acender-se intermitente, significa que a respectiva função não pode ser seleccionada para o programa definido.

EcoTime

Ao seleccionar esta opção, a movimentação mecânica, a temperatura e a água serão optimizados para uma carga reduzida de tecidos de algodão e sintéticos pouco sujos (veja a *"Tabela dos programas"*). Com "EcoTime" é possível lavar em pouco tempo, economizando água e energia eléctrica. Aconselha-se usar uma dose de detergente líquido adequada para a quantidade de carga.

! Não pode ser activada nos programas 1, 2, 7, 8, 9, 10, 11, 12, 13, (🌀), (⊘), (🌊).

Anti-mancha

Ciclo branqueador adequado para eliminar as nódoas mais resistentes. Coloque lixívia na gaveta adicional 4 (veja *"Ciclo para branquear"*).

! Não pode ser activada nos programas 1, 7, 8, 9, 10, 11, 12, 13, (⊘), (🌊).

Enxaguamento extra

Seleccionando esta função aumenta-se a eficácia da enxaguamento e garante-se a máxima remoção do detergente. É útil para quem tem a pele particularmente sensível.

! Não pode ser activada nos programas 10, (⊘), (🌊).

Início posterior

Atrasa o início da máquina de até 12 horas.

Mete várias vezes na tecla até acender-se o indicador luminoso correspondente ao atraso desejado. A quinta vez que carregar na tecla, a função se desactivará.

Obs.: depois de ter carregado na tecla INÍCIO/PAUSA, será possível mudar o valor do atraso somente para diminuí-lo até iniciar o programa configurado.

! É activo com todos os programas.

Detergentes e roupa

PT

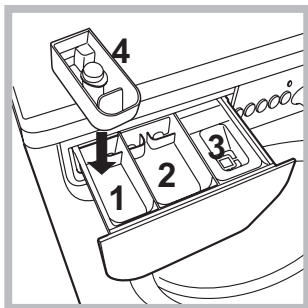
Gaveta dos detergentes

O bom resultado da lavagem depende também do emprego da dose certa de detergente: com excessos não se lava de maneira mais eficaz, mas contribui-se para formar crostas nas peças internas da máquina de lavar roupa e poluir o meio ambiente.

! Não use detergentes para lavagem à mão, porque formam espuma demais.

! Usar detergentes em pó para roupas de algodão brancas e para a pré-lavagem e para lavagens com temperatura superior aos 60°C.

! Seguir as indicações fornecidas pelo produtor na embalagem do detergente.



Tire a gaveta dos detergentes e deite o detergente ou o aditivo da seguinte maneira:

gaveta 1: Detergente para pré-lavagem (em pó)

Antes de deitar detergente verifique se há dentro a gaveta adicional 4.

gaveta 2: Detergente para lavagem (em pó ou líquido)

O detergente líquido deve ser deitado somente depois da máquina ter arrancado.

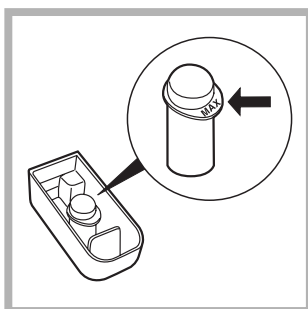
gaveta 3: Aditivos (amaciador etc.)

O aditivo amaciador não deve ultrapassar a grade.

gaveta adicional 4: Água de Javel

Ciclo para branquear

! A Lixívia **tradicional** pode ser utilizada para tecidos resistentes brancos, enquanto que a **delicada** pode ser utilizada para tecidos coloridos, sintéticos e para lã.



Coloque a gaveta adicional 4, fornecida, na gaveta 1. Quando deitar a lixívia, certifique-se de que não ultrapasse o nível "máx." indicado no pino central (veja a figura).

Para branquear somente, deite lixívia na gaveta adicional 4, escolha o programa "Enxaguamento" e selecione a função "Anti-mancha".

Para branquear durante a lavagem deite detergente e os aditivos, defina o programa que desejar e selecione a função "Anti-mancha".

Se utilizar a gaveta adicional 4 exclui-se a pré-lavagem.

Preparar a roupa

- Divida a roupa em função:
 - do tipo de tecido / do símbolo na etiqueta.
 - das cores: separe as peças coloridas das brancas.
- Esvazie as algibeiras e verifique se há botões soltos.
- Não ultrapasse os valores indicados que se referem ao peso da roupa enxuta:
 - Tecidos resistentes: máx. 6 kg.
 - Tecidos sintéticos: máx. 2,5 kg.
 - Tecidos delicados: máx. 2 kg.
 - Lã: máx. 1,5 kg.
 - Seda: máx. 1 kg.

Quanto pesa a roupa?

- 1 lençol 400 - 500 g.
- 1 fronha 150 - 200 g.
- 1 toalha de mesa 400 - 500 g.
- 1 roupão 900 - 1200 g.
- 1 toalha de rosto 150 - 250 g.

Peças especiais

Lã: com o programa 7 é possível lavar na máquina todas as roupas de lã, mesmo aquelas com a etiqueta "lavar somente à mão". Para obter os melhores resultados, use um detergente específico e não supere 1,5 kg de peso.

Seda: utilize o programa específico 8 para lavar todas as roupas de seda. Aconselha-se o uso de um detergente específico para tecidos delicados.

Cortinas: dobre-as bem e coloque-as dentro de uma fronha ou de um saquinho de rede. Utilize o programa 8.

Jeans: vire do avesso as roupas antes de lavar e use um detergente líquido. Utilize o programa 9.

Sistema de balanceamento da carga

Antes de cada centrifugação, para evitar vibrações excessivas e para distribuir a carga em modo uniforme, o tambor efectua algumas rotações a uma velocidade levemente superior àquela de lavagem. Se no fim de repetidas tentativas a carga ainda não estiver correctamente balanceada, a máquina efectuará a centrifugação com uma velocidade inferior àquela prevista. No caso de um excessivo desbalanceamento, a máquina de lavar roupa efectuará a distribuição ao invés da centrifugação. Para favorecer uma melhor distribuição da carga e o seu correcto balanceamento, aconselha-se misturar peças grandes com peças pequenas.

! Esta máquina de lavar roupa foi projectada e fabricada em conformidade com os regulamentos internacionais de segurança. Estas advertências são fornecidas por razões de segurança e devem ser lidas com atenção.

Os consumidores devem contactar as autoridades locais ou os pontos de venda para solicitar informação referente ao local apropriado onde devem depositar os electrodomésticos velhos.

PT

Segurança geral

- Este aparelho foi projectado exclusivamente para um uso doméstico.
- O aparelho não deve ser utilizado por pessoas (incluindo crianças) com capacidades físicas, sensoriais ou mentais reduzidas ou sem experiência e conhecimentos, salvo se supervisionadas ou se tiverem recebido instruções sobre a utilização do dispositivo por parte de uma pessoa responsável pela sua segurança. As crianças devem ser mantidas sob vigilância para evitar que brinquem com a máquina.
- Esta máquina de lavar roupa deve ser utilizada somente por pessoas adultas e conforme as instruções apresentadas neste manual.
- Não toque na máquina com os pés descalços nem com as mãos ou os pés molhados ou húmidos.
- Não puxe o cabo eléctrico para tirar a ficha da tomada, pegue a ficha mesmo.
- Não abra a gaveta dos detergentes enquanto a máquina estiver a funcionar.
- Não toque a água de descarga, que poderá chegar a temperaturas altas.
- Em nenhum caso force a porta para abri-la: poderá danificar o mecanismo de segurança que a protege contra aberturas acidentais.
- Se houver avarias, em nenhum caso mexa nos mecanismos internos para tentar reparar.
- Verifique sempre que criança não se aproximem da máquina a funcionar.
- Durante a lavagem a porta de vidro tende a aquecer-se.
- Se for preciso deslocá-la, são precisas pelo menos duas ou três pessoas, com a máxima atenção. Nunca sozinho porque a máquina é muito pesada.
- Antes de colocar a roupa verifique que o tambor esteja vazio.

Eliminação

- Eliminação do material de embalagem: obedeça os regulamentos locais, de maneira que as embalagens possam ser reutilizadas.
- A directiva Europeia 2002/96/CE referente à gestão de resíduos de aparelhos eléctricos e electrónicos, prevê que os electrodomésticos não devem ser escoados no fluxo normal dos resíduos sólidos urbanos. Os aparelhos desactualizados devem ser recolhidos separadamente para otimizar a taxa de recuperação e reciclagem dos materiais que os compõem e impedir potenciais danos para a saúde humana e para o ambiente. O símbolo constituído por um contentor de lixo barrado com uma cruz deve ser colocado em todos os produtos por forma a recordar a obrigatoriedade de recolha separada.

Manutenção e cuidados

PT

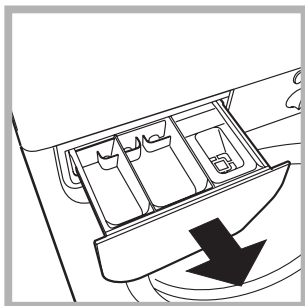
Interromper a alimentação de água e de corrente eléctrica

- Feche a torneira da água depois de cada lavagem. Desta maneira diminuiu-se o desgaste do sistema hidráulico da máquina de lavar roupa e elimina-se o risco de inundação.
- Tire a ficha da tomada eléctrica quando for limpar a máquina de lavar roupa e durante os trabalhos de manutenção.

Limpar a máquina de lavar roupa

A parte externa e as peças em borracha podem ser limpas com um pano molhado com água morna e sabão. Não empregue solventes nem abrasivos.

Limpar a gaveta dos detergentes



Para tirar a gaveta, erga-a e puxe-a para fora (veja a figura).

Lave-a com água corrente; esta limpeza deve ser efectuada frequentemente.

Cuidados com a porta de vidro e o tambor

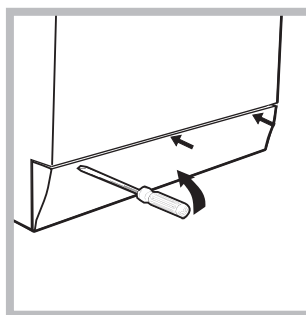
- Deixe a porta sempre entreaberta para evitar que se formem odores desagradáveis.

Limpar a bomba

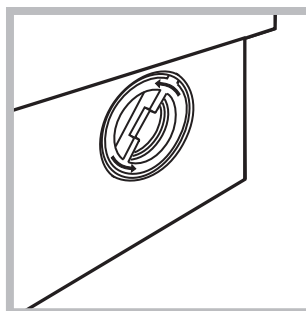
Esta máquina de lavar roupa é equipada com uma bomba com limpeza automática que não precisa de operações de manutenção. Entretanto pode acontecer que pequenos objectos (moedinhas, botões) caiam na pré-câmara que protege a bomba, situada na parte inferior da mesma.

! Certifique-se que o ciclo de lavagem tenha terminado e tire a ficha da tomada.

Para obter acesso à pré-câmara:



1. tire o painel de cobertura da parte dianteira da máquina de lavar roupa com ajuda de uma chave de fendas (veja a figura);



2. desenrosque a tampa girando-a no sentido anti-horário (veja a figura). é normal que perca um pouco de água;

3. limpe o interior com cuidado;
4. enrosque outra vez a tampa;
5. monte outra vez o painel, certifique-se, antes de empurrá-la na máquina, que os ganchos foram colocados nas respectivas ranhuras.

Verificar o tubo de alimentação de água

Verifique o tubo de alimentação pelo menos uma vez por ano. Se houver rachaduras ou fendas, será necessário substituí-lo: durante as lavagens as fortes pressões podem provocar repentinas quebras.

! Nunca utilize tubos já usados.

Pode acontecer que a máquina de lavar roupa não funcione. Antes de telefonar para a Assistência Técnica (veja "Assistência"), verifique se não se trata de um problema fácil de resolver com ajuda da seguinte lista.

Anomalias:

Possíveis causas / Solução:

A máquina de lavar roupa não liga.

- A ficha não está colocada na tomada eléctrica, ou não é suficiente para haver contacto.
- Em casa não há corrente.

O ciclo de lavagem não inicia.

- A porta de vidro não está bem fechada.
- O botão LIGA/DESLIGA não foi pressionado.
- O botão INÍCIO/PAUSA não foi pressionado.
- A torneira da água não está aberta.
- Foi programado um início posterior (veja as "Personalizações").

A máquina de lavar roupa não carrega a água (o indicador luminoso da primeira fase de lavagem pisca rapidamente).

- O tubo de alimentação de água não está ligado na torneira.
- O tubo está dobrado.
- A torneira da água não está aberta.
- Está a faltar água em casa.
- Não há suficiente pressão.
- O botão INÍCIO/PAUSA não foi pressionado.

A máquina de lavar roupa carrega e descarrega água continuamente.

- O tubo de descarga não está instalado entre 65 e 100 cm de altura do chão (veja "Instalação").

- A ponta do tubo de descarga está imersa na água (veja "Instalação").
- Da descarga na parede não foi sangrado o ar.

Se depois destas verificações o problema não for resolvido, feche a torneira da água, desligue a máquina de lavar roupa e chame a assistência técnica. Se a morada encontrar-se nos últimos andares de um edifício, é possível que aconteçam fenómenos de sifão por causa dos quais a máquina de lavar roupa carrega e descarrega água continuamente. Para eliminar este inconveniente, há a disposição no comércio apropriadas válvulas contra o efeito sifão.

A máquina de lavar roupa não descarrega ou nem realiza centrifugação.

- No programa não há descarga: com alguns programas será necessário iniciar a descarga manualmente.
- O tubo de descarga está dobrado (veja "Instalação").
- A conduta de descarga está entupida.

A máquina de lavar roupa vibra muito durante a centrifugação.

- O tambor, no momento da instalação, não foi liberado correctamente (veja "Instalação").
- A máquina não está nivelada (veja "Instalação").
- A máquina está apertada entre móveis e parede (veja "Instalação").

Da máquina de lavar roupa está a perder água.

- O tubo de alimentação da água não está bem enroscado (veja "Instalação").
- O gaveta dos detergentes está entupida (para limpá-la veja "Manutenção e cuidados").
- O tubo de descarga não está fixado correctamente (veja "Instalação").

Os indicadores luminosos das "funções" e o indicador luminoso de "início/pausa" piscam e um dos indicadores da "fase em curso" e de "porta bloqueada" ficam acesos fixos.

- Desligue a máquina e tire a ficha da tomada, aguarde aproximadamente 1 minuto e volte a ligá-la.
Se a anomalia persistir, contacte a Assistência Técnica.

Está a formar-se demasiada espuma.

- O detergente não é específico para máquina de lavar roupa (deve haver a escrita "para máquina de lavar", "à mão e para máquina de lavar" ou similares).
- A dose foi excessiva.

Assistência

PT

Antes de contactar a Assistência Técnica:

- Verifique se consegue resolver a anomalia sozinho (*veja "Anomalias e soluções"*);
- Reinicie o programa para verificar se o inconveniente foi resolvido;
- Em caso negativo, contacte a o Centro de Assistência técnica autorizada no número de telefone indicado no certificado de garantia.

! Nunca recorra a técnicos não autorizados.

Comunique:

- o tipo de anomalia;
- o modelo da máquina (Mod.);
- o número de série (S/N).

Estas informações encontram-se na placa colocada na parte traseira da máquina de lavar roupa e na parte anterior abrindo a porta de vidro.

FR

Français

IWC 6103

FR

Sommaire

Installation, 50-51

Déballage et mise à niveau
Raccordements eau et électricité
Premier cycle de lavage
Caractéristiques techniques

Description du lave-linge et démarrage d'un programme, 52-53

Bandeau de commandes
Voyants
Démarrage d'un programme

Programmes, 54

Tableau des programmes

Personnalisations, 55

Sélection de la température
Sélection de l'essorage
Fonctions

Produits lessiviels et linge, 56

Tiroir à produits lessiviels
Cycle blanchissage
Triage du linge
Linge ou vêtements particuliers
Système d'équilibrage de la charge

Précautions et conseils, 57

Sécurité générale
Mise au rebut

Entretien et soin, 58

Coupure de l'arrivée d'eau et du courant
Nettoyage du lave-linge
Nettoyage du tiroir à produits lessiviels.
Entretien du hublot et du tambour
Nettoyage de la pompe
Contrôle du tuyau d'arrivée de l'eau

Anomalies et remèdes, 59

Assistance, 60

Installation

FR

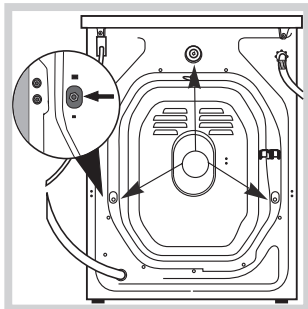
! Conserver ce mode d'emploi pour pouvoir le consulter à tout moment. En cas de vente, de cession ou de déménagement, veiller à ce qu'il suive toujours le lave-linge pour que son nouveau propriétaire soit informé sur son mode de fonctionnement et puisse profiter des conseils correspondants.

! Lire attentivement les instructions: elles fournissent des conseils importants sur l'installation, l'utilisation et la sécurité de l'appareil.

Déballage et mise à niveau

Déballage

1. Déballer le lave-linge.
2. Contrôler que le lave-linge n'a pas été endommagé pendant le transport. S'il est abîmé, ne pas le raccorder et contacter le vendeur.



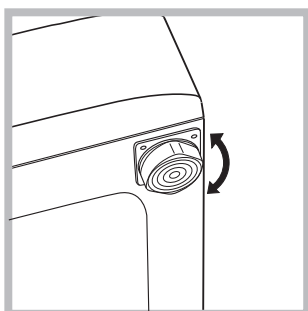
3. Enlever les **3** vis de protection servant au transport, le caoutchouc et la cale, placés dans la partie arrière (voir figure).

4. Boucher les trous à l'aide des bouchons plastique fournis.
5. Conserver toutes ces pièces: il faudra les remonter en cas de transport du lave-linge.

! Les pièces d'emballage ne sont pas des jouets pour enfants.

Mise à niveau

1. Installer le lave-linge sur un sol plat et rigide, sans l'appuyer contre des murs, des meubles ou autre.

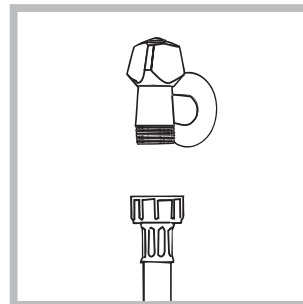


2. Si le sol n'est pas parfaitement horizontal, visser ou dévisser les pieds de réglage avant (voir figure) pour niveler l'appareil; son angle d'inclinaison, mesuré sur le plan de travail, ne doit pas dépasser 2°.

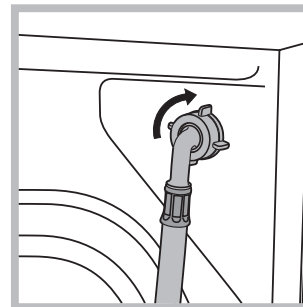
Une bonne mise à niveau garantit la stabilité de l'appareil et évite qu'il y ait des vibrations, du bruit et des déplacements en cours de fonctionnement. Si la machine est posée sur de la moquette ou un tapis, régler les pieds de manière à ce qu'il y ait suffisamment d'espace pour assurer une bonne ventilation.

Raccordements eau et électricité

Raccordement du tuyau d'arrivée de l'eau



1. Reliez le tuyau d'alimentation en le vissant à un robinet d'eau froide à embout fileté 3/4 gaz (voir figure). Faire couler l'eau jusqu'à ce qu'elle soit limpide et sans impuretés avant de raccorder.



2. Raccorder le tuyau d'arrivée de l'eau au lave-linge en le vissant à la prise d'eau prévue, dans la partie arrière en haut à droite (voir figure).

3. Attention à ce que le tuyau ne soit pas plié ou écrasé.

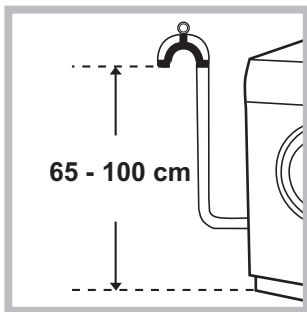
! La pression de l'eau doit être comprise entre les valeurs indiquées dans le tableau des Caractéristiques techniques (voir page ci-contre).

! Si la longueur du tuyau d'alimentation ne suffit pas, s'adresser à un magasin spécialisé ou à un technicien agréé.

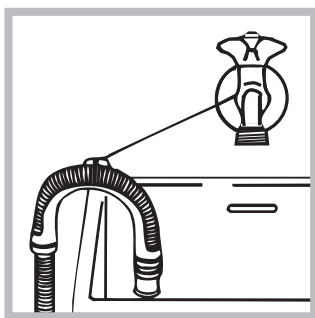
! N'utiliser que des tuyaux neufs.

! Utiliser ceux qui sont fournis avec l'appareil.

Raccordement du tuyau de vidange



Raccorder le tuyau d'évacuation, sans le plier, à un conduit d'évacuation ou à une évacuation murale placés à une distance du sol comprise entre 65 et 100 cm;



ou bien l'accrocher à un évier ou à une baignoire, dans ce cas, fixer le support en plastique fourni avec l'appareil au robinet (voir figure). L'extrémité libre du tuyau d'évacuation ne doit pas être plongée dans l'eau.

! L'utilisation d'un tuyau de rallonge est absolument déconseillée mais si on ne peut faire autrement, il faut absolument qu'il ait le même diamètre que le tuyau original et sa longueur ne doit pas dépasser 150 cm.

Branchement électrique

Avant de brancher la fiche dans la prise de courant, s'assurer que:

- la prise est bien reliée à la terre et est conforme aux réglementations en vigueur;
- la prise est bien apte à supporter la puissance maximale de l'appareil indiquée dans le tableau des Caractéristiques techniques (voir ci-contre);
- la tension d'alimentation est bien comprise entre les valeurs figurant dans le tableau des Caractéristiques techniques (voir ci-contre);
- la prise est bien compatible avec la fiche du lave-linge. Autrement, remplacer la prise ou la fiche.

! Le lave-linge ne doit pas être installé dehors, même à l'abri, car il est très dangereux de le laisser exposé à la pluie et aux orages.

! Après installation du lave-linge, la prise de courant doit être facilement accessible.

! N'utiliser ni rallonges ni prises multiples.

! Le câble ne doit être ni plié ni trop écrasé.



! Le câble d'alimentation ne doit être remplacé que par des techniciens agréés.

Attention! Nous déclinons toute responsabilité en cas de non-respect des normes énumérées ci-dessus.

Premier cycle de lavage

Avant la première mise en service de l'appareil, effectuer un cycle de lavage avec un produit lessiviel mais sans linge et sélectionner le programme 2.

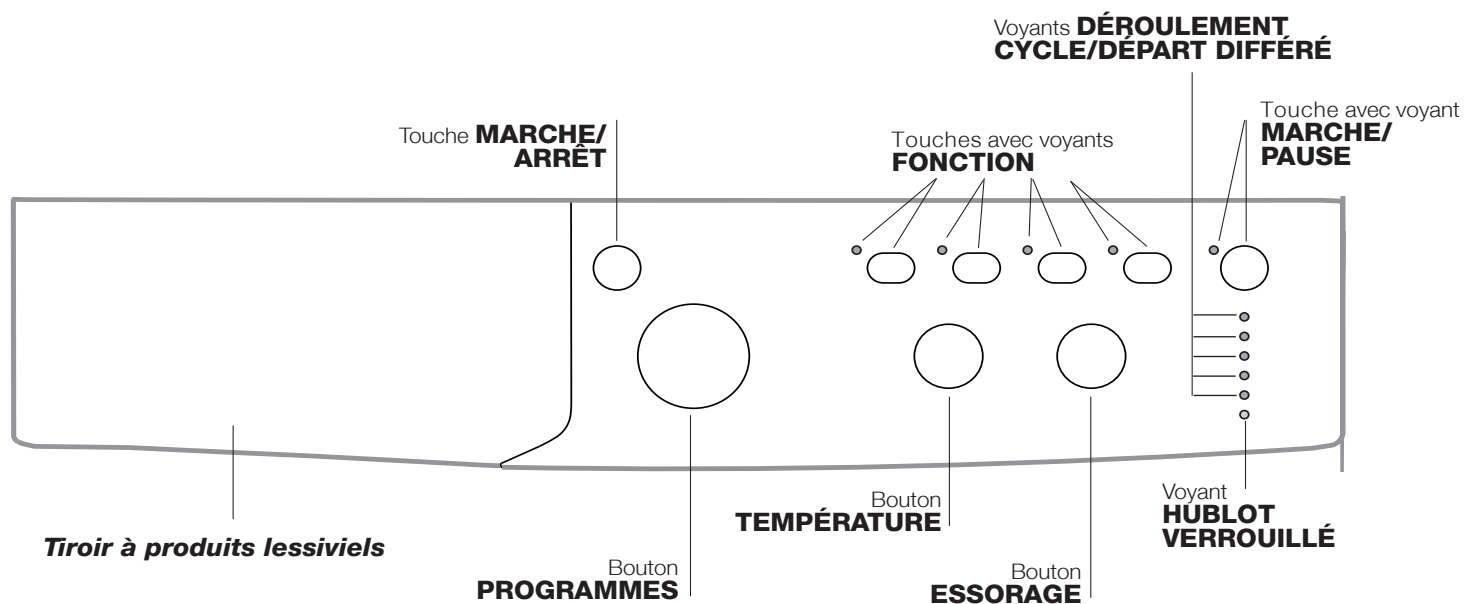
Caractéristiques techniques

Modèle	IWC 6103
Dimensions	largeur 59,5 cm hauteur 85 cm profondeur 52,5 cm
Capacité	de 1 à 6 kg
Raccordements électriques	Voir la plaque signalétique appliquée sur la machine
Raccordements hydrauliques	pression maximale 1 MPa (10 bar) pression minimale 0,05 MPa (0,5 bar) capacité du tambour 46 litres
Vitesse d'essorage	jusqu'à 1000 tours minute
Programmes de contrôle selon les directives 1061/2010 et 1015/2010	Programme 2 : température 60°C et 40°C
 	Cet appareil est conforme aux Directives Communautaires suivantes: - 2004/108/CE (Compatibilité électromagnétique) - 2002/96/CE - 2006/95/CE (Basse Tension)

Description du lave-linge et démarrage d'un programme

FR

Bandeau de commandes



Tiroir à produits lessiviels: pour charger les produits lessiviels et les additifs (voir "Produits lessiviels et linge").

Touche **MARCHÉ/ARRÉT:** pour allumer ou éteindre le lave-linge.

Bouton **PROGRAMMES:** pour sélectionner les programmes. Pendant le programme, le bouton ne tournera pas.

Touches avec voyants **FONCTION:** pour sélectionner les fonctions disponibles. Le voyant correspondant à la fonction sélectionnée restera allumé.

Bouton **TEMPÉRATURE:** pour sélectionner la température ou un lavage à froid (voir "Personnalisations").


Bouton **ESSORAGE:** pour sélectionner l'essorage ou le supprimer (voir "Personnalisations").

Voyants **DÉROULEMENT CYCLE/DÉPART DIFFÉRÉ:** pour suivre le stade d'avancement du programme de lavage.

Le voyant allumé indique la phase de lavage en cours. Si la fonction "Départ différé" (départ différé) a été sélectionnée, ils indiquent le temps restant jusqu'au démarrage du programme (voir page ci-contre).

Voyant **HUBLOT VERROUILLÉ:** indique si la porte est verrouillée (voir page ci-contre).

Touche avec voyant **MARCHÉ/PAUSE:** pour démarrer les programmes ou les interrompre momentanément.

N.B.: pour effectuer une pause du lavage en cours, appuyer sur cette touche, le voyant correspondant se mettra à clignoter en orange tandis que celui de la phase en cours restera allumé fixe. Si le voyant HUBLOT VERROUILLÉ  est éteint, on peut ouvrir la porte.

Pour faire redémarrer le lavage exactement de l'endroit où il a été interrompu, appuyer une nouvelle fois sur la touche.

Stand-by

Ce lave-linge, conformément aux nouvelles normes en vigueur dans le domaine de l'économie d'énergie, est équipée d'un système d'extinction automatique (veille) activé après 30 minutes environ d'inutilisation. Appuyez brièvement sur la touche ON-OFF et attendez que la machine soit réactivée.

Consommation en off-mode : 1W

Consommation en Left-on : 1W

Voyants

Les voyants fournissent des informations importantes. Voilà ce qu'ils signalent:

Départ différé

Si la fonction "Départ différé" a été activée (voir "Personnalisations"), le voyant correspondant au temps sélectionné se mettra à clignoter, après avoir lancé le programme:

3h 

6h 

9h 

12h 

Au fur et à mesure que le temps passe, le temps restant est affiché avec clignotement du voyant correspondant.

3h 

6h 






9h 

12h 

Quand le retard sélectionné touche à sa fin le programme sélectionné démarre.

Voyants phase en cours

Une fois que le cycle de lavage sélectionné a démarré, les voyants s'allument progressivement pour indiquer son stade d'avancement:

Lavage	
Rinçage	
Essorage	
Vidange	
Fin de Lavage	 END

Touches fonction et voyants correspondants

La sélection d'une fonction entraîne l'allumage du voyant correspondant.


Si la fonction sélectionnée est incompatible avec le programme sélectionné, le voyant correspondant se met à clignoter et la fonction n'est pas activée.

Si l'option sélectionnée est incompatible avec une autre fonction précédemment sélectionnée, le voyant correspondant à la première fonction se met à clignoter et seule la deuxième fonction est activée, le voyant de la touche s'allume au fixe.

Voyant hublot verrouillé

Le voyant allumé indique que le hublot est verrouillé pour empêcher l'ouverture. Attendre que le voyant cesse de clignoter avant d'ouvrir la porte (3 minutes environ). Pour ouvrir le hublot tandis qu'un cycle est en cours, appuyer sur la touche MARCHE/PAUSE; si le voyant HUBLOT VERROUILLÉ est éteint, on peut ouvrir le hublot.



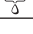
Démarrage d'un programme

1. Allumer le lave-linge en appuyant sur la touche MARCHE/ARRÊT. Tous les voyants s'allument pendant quelques secondes puis s'éteignent, seul le voyant MARCHE/PAUSE flashe.
2. Charger le linge et fermer le hublot.
3. Sélectionner à l'aide du bouton PROGRAMMES le programme désiré.
4. Sélectionner la température de lavage (voir "Personnalisations").
5. Sélectionner la vitesse d'essorage (voir "Personnalisations").
6. Verser les produits lessiviels et les additifs (voir "Produits lessiviels et linge").
7. Sélectionner les fonctions désirées.
8. Appuyer sur la touche MARCHE/PAUSE pour démarrer le programme, le voyant correspondant vert restera allumé en fixe. Pour annuler le cycle sélectionné, appuyer sur la touche MARCHE/PAUSE pour placer l'appareil en pause et choisir un nouveau cycle.
9. A la fin du programme, le voyant END s'allume. Quand le voyant HUBLOT VERROUILLÉ  s'éteint, on peut ouvrir le hublot. Sortir le linge et laisser le hublot entrouvert pour faire sécher le tambour. Éteindre le lave-linge en appuyant sur la touche MARCHE/ARRÊT.

Programmes

FR

Tableau des programmes

Programmes	Description du Programme	Temp. maxi. (°C)	Vitesse maxi (tours/minute)	Detersivi				Charge maxi (Kg)		Humidité résiduelle %	Consommation d'énergie kWh	Eau totale lt	Durée cycle	
				Pré-lavage	Lavage	Javel	Assouplissant	Normal	Eco Time				Normal	Eco Time
Programmes pour tous les jours (Daily)														
1	Coton avec Prélavage: blancs extrêmement sales.	90°	1000	●	●	-	●	6	-	62	1,84	64	152	-
2	Coton: blancs extrêmement sales.	90°	1000	-	●	●	●	6	-	62	1,77	58	137	-
2	Coton (1-2): blancs et couleurs résistantes très sales.	60°	1000	-	●	●	●	6	-	62	1,048	51	192	-
2	Coton (2): blancs et couleurs délicates peu sales.	40°	1000	-	●	●	●	6	-	62	0,864	52	186	-
3	Coton: blancs et couleurs résistantes très sales.	60°	1000	-	●	●	●	6	3,5	-	-	-	128	82
4	Coton couleurs (3): blancs peu sales et couleurs délicates.	40°	1000	-	●	●	●	6	3,5	62	0,82	53	90	82
5	Synthétique: couleurs résistantes très sales.	60°	800	-	●	●	●	2,5	2	44	0,78	33	99	68
5	Synthétique énergétique (4): couleurs résistantes très sales.	40°	800	-	●	●	●	2,5	2	44	0,49	32	90	68
6	Synthétique: couleurs délicates peu sales.	40°	800	-	●	●	●	2,5	2	-	-	-	70	68
Programmes Spéciaux (Special)														
7	Laine: pour laine, cachemire, etc.	40°	800	-	●	-	●	1,5	-	-	-	-	72	-
8	Soie/Voilages: pour linge en soie, viscose, lingerie.	30°	0	-	●	-	●	1	-	-	-	-	55	-
9	Jeans	40°	800	-	●	-	●	3	-	-	-	-	58	-
10	Express: pour rafraîchir rapidement du linge peu sale (ne convient pas pour la laine, la soie et le linge à laver à la main).	30°	800	-	●	-	●	1,5	-	71	0,12	27	15	-
Sport														
11	Sport Intensive	30°	600	-	●	-	●	3	-	-	-	-	83	-
12	Sport Light	30°	600	-	●	-	●	3	-	-	-	-	58	-
13	Sport Shoes	30°	600	-	●	-	●	Max. 2 paires	-	-	-	-	54	-
Programmes partiels														
	 Pinçage	-	1000	-	-	●	●	6	-	-	-	-	36	-
	 Essorage	-	1000	-	-	-	-	6	-	-	-	-	16	-
	 Vidange	-	0	-	-	-	-	6	-	-	-	-	2	-

La durée du cycle indiquée sur l'écran ou dans la notice représente une estimation calculée dans des conditions standard. Le temps effectif peut varier en fonction de nombreux facteurs tels que : température et pression de l'eau en entrée, température ambiante, quantité de lessive, quantité et type de charge, équilibrage de la charge, options supplémentaires sélectionnées.

Pour tous les instituts qui effectuent ces tests :

- 1) Programme de contrôle selon la norme 2010/1061: sélectionner le programme 2 et une température de 60°C et 40°C. Ce cycle convient au lavage d'une charge de coton normalement sale et c'est le plus performant en termes de consommation d'eau et d'énergie, l'utiliser pour du linge lavable à 60°C et 40°C. La température effective de lavage peut différer de la température indiquée.
- 2) Programme coton long: sélectionner le programme 2 et une température de 40°C.
- 3) Programme coton court: sélectionner le programme 4 et une température de 40°C.
- 4) Programme Synthétique ainsi que: sélectionner le programme 5 et une température de 40°C.

Programmes spéciaux

Express (programme 10): spécialement conçu pour laver du linge peu sale en un rien de temps: il ne dure que 15 minutes et permet ainsi de faire des économies d'énergie et de temps. La sélection de ce programme (10 à 30°C) permet de laver ensemble des textiles différents (sauf laine et soie) en ne dépassant pas 1,5 kg de charge.

Sport Intensive (programme 11): est spécialement conçu pour laver des textiles vêtements de sport (survêtements, shorts, etc.) très sales; pour obtenir d'excellents résultats nous recommandons de ne pas dépasser la charge maximale indiquée dans le "Tableau des programmes".

Sport Light (programme 12): est spécialement conçu pour laver des textiles vêtements de sport (survêtements, shorts, etc.) peu sales; pour obtenir d'excellents résultats nous recommandons de ne pas dépasser la charge maximale indiquée dans le "Tableau des programmes". Nous recommandons d'utiliser de la lessive liquide, avec une dose pour la demi-charge.

Sport Shoes (programme 13): est spécialement conçu pour laver des chaussures de sport; pour obtenir d'excellents résultats nous recommandons de ne pas en laver plus de 2 paires à la fois.

Sélection de la température

Tourner le bouton TEMPÉRATURE pour sélectionner la température de lavage (voir *Tableau des programmes*).

La température peut être abaissée jusqu'au lavage à froid .

La machine interdira automatiquement toute sélection d'une température supérieure à la température maximale prévue pour chaque programme.

Sélection de l'essorage

Tourner le bouton ESSORAGE pour sélectionner la vitesse d'essorage du programme sélectionné.

Les vitesses maximales prévues pour les programmes sont:

Programmes	Vitesse maximale
Coton	1000 tours/minute
Synthétiques	800 tours/minute
Laine	800 tours/minute
Soie	vidange seule

La vitesse d'essorage peut être réduite ou l'essorage supprimé en sélectionnant le symbole .

La machine interdira automatiquement tout essorage à une vitesse supérieure à la vitesse maximale prévue pour chaque programme.

Fonctions

Les différentes fonctions de lavage prévues par le lave-linge permettent d'obtenir la propreté et le blanc souhaités.

Pour activer les fonctions:

1. appuyer sur la touche correspondant à la fonction désirée;
2. l'allumage du voyant correspondant signale que la fonction est activée.

Remarque: Le clignotement rapide du voyant signale que la fonction correspondante n'est pas disponible pour le programme sélectionné.

Ec@Time

La sélection de cette option permet d'optimiser les mouvements mécaniques, la température et l'eau en fonction d'une charge réduite de coton et synthétiques peu sales (voir *"Tableau des programmes"*). "Ec@Time" permet de laver en faisant des économies considérables de temps et de consommations d'eau et d'énergie. Il est conseillé d'utiliser une dose de lessive liquide adaptée à la charge.

! Cette fonction n'est pas activable avec les programmes 1, 2, 7, 8, 9, 10, 11, 12, 13, , , .

Anti-tâches

Cycle de anti-tâches conseillé pour l'élimination de taches très résistantes. N'oubliez pas de verser l'eau de Javel dans le bac supplémentaire 4 (voir *"Cycle blanchissage"*).

! Cette option n'est pas activable avec les programmes 1, 7, 8, 9, 10, 11, 12, 13, , .

Super Rinçage

La sélection de cette option permet d'augmenter l'efficacité du rinçage et d'éliminer totalement toute trace de lessive. Elle est très utile pour les peaux particulièrement sensibles.

! Cette fonction n'est pas activable avec les programmes 10, , .

Départ différé

Pour différer la mise en marche de la machine jusqu'à 12 heures.

Appuyer plusieurs fois de suite sur la touche jusqu'à ce que le voyant correspondant au retard souhaité s'allume. A la cinquième pression sur la touche, la fonction se désactive.

N.B: Après avoir appuyé sur la touche MARCHE/PAUSE, le retard programmé ne peut être modifié que pour le diminuer jusqu'à lancer le programme sélectionné.

! Il est activé avec tous les programmes.

Produits lessiviels et linge

FR

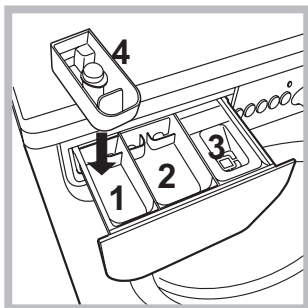
Tiroir à produits lessiviels

Un bon résultat de lavage dépend aussi d'un bon dosage de produit lessiviel: un excès de lessive ne lave pas mieux, il incruste l'intérieur du lave-linge et pollue l'environnement.

! Ne pas utiliser de lessives pour lavage à la main, elles moussent trop.

! Utiliser des lessives en poudre pour du linge en coton blanc et en cas de pré-lavage et de lavages à une température supérieure à 60°C.

! Respecter les indications figurant sur le paquet de lessive.



Sortir le tiroir à produits lessiviels et verser la lessive ou l'additif comme suit.

bac 1: Lessive pré-lavage (en poudre)

Avant d'introduire la lessive, assurez-vous que le bac supplémentaire 4 n'est pas présent.

bac 2: Lessive lavage (en poudre ou liquide)

Verser la lessive liquide juste avant la mise en marche.

bac 3: Additifs (adoucissant, etc.)

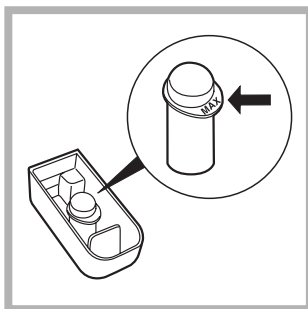
L'assouplissant ne doit pas déborder de la grille.

bac supplémentaire 4: Eau de javel

! N'utilisez pas de lessives pour lavage à la main, elles génèrent trop de mousse.

Cycle blanchissage

! N'utilisez de l'eau de Javel **traditionnelle** que pour les tissus blancs résistants et des détachants **déliçats** pour les couleurs, les synthétiques et la laine.



Montez le bac supplémentaire 4 fourni avec l'appareil à l'intérieur du bac 1.

Lorsque vous versez l'eau de Javel, attention à ne pas dépasser le niveau "max" indiqué sur le pivot central (voir figure).

Pour blanchir uniquement, versez l'eau de Javel dans le bac supplémentaire 4, sélectionnez le programme «Rinçage» et activez la fonction «Anti-tâches».

Pour blanchir en cours de lavage, versez le produit lessiviel et les additifs, sélectionnez le programme souhaité et activez la fonction «Anti-tâches».

L'utilisation du bac supplémentaire 4 exclut le pré-lavage.

Triage du linge

- Trier correctement le linge d'après:
 - le type de textile / le symbole sur l'étiquette.
 - les couleurs: séparer le linge coloré du blanc.
- Vider les poches et contrôler les boutons.
- Ne pas dépasser les valeurs indiquées correspondant au poids de linge sec :
 - Textiles résistants: 6 kg max.
 - Textiles synthétiques: 2,5 kg max.
 - Textiles délicats: 2 kg max.
 - Laine: 1,5 kg max.
 - Soie: 1 kg max.

Combien pèse le linge ?

- 1 drap 400-500 g
- 1 taie d'oreiller 150-200 g
- 1 nappe 400-500 g
- 1 peignoir 900-1200 g
- 1 serviette éponge 150-250 g

Linge ou vêtements particuliers

Laine: grâce au programme 7 vous pouvez laver à la machine tous vos vêtements en laine, y compris ceux qui portent l'étiquette " lavage à la main uniquement ".

Pour obtenir d'excellents résultats utilisez un produit lessiviel spécial et ne dépassez pas une charge de 1,5 kg.

Soie: sélectionner le programme de lavage spécial 8 pour vêtements en soie. Il est conseillé d'utiliser une lessive spéciale pour linge délicat.

Rideaux: pliez-les bien et glissez-les dans une taie d'oreiller ou dans un sac genre filet. Sélectionner le programme 8.

Jeans: mettez les jeans à l'envers avant de les laver et utilisez une lessive liquide. Sélectionnez le programme 9.

Système d'équilibrage de la charge

Avant tout essorage, pour éviter toute vibration excessive et répartir le linge de façon uniforme, le lave-linge fait tourner le tambour à une vitesse légèrement supérieure à la vitesse de lavage. Si au bout de plusieurs tentatives, la charge n'est toujours pas correctement équilibrée, l'appareil procède à un essorage à une vitesse inférieure à la vitesse normalement prévue. En cas de déséquilibre excessif, le lave-linge préfère procéder à la répartition du linge plutôt qu'à son essorage. Pour une meilleure répartition de la charge et un bon équilibrage, nous conseillons de mélanger de grandes et petites pièces de linge.

! Ce lave-linge a été conçu et fabriqué conformément aux normes internationales de sécurité. Ces consignes sont fournies pour des raisons de sécurité, il faut les lire attentivement.

Les consommateurs devront contacter les autorités locales ou leur revendeur concernant la démarche à suivre pour l'enlèvement de leur vieil appareil.

FR

Sécurité générale

- Cet appareil est conçu pour un usage domestique.
- Cet appareil n'est pas destiné à être utilisé par des personnes (enfants compris) dont les capacités physiques, sensorielles ou mentales sont réduites ou qui ne disposent pas des connaissances ou de l'expérience nécessaires, à moins qu'elles n'aient été formées et encadrées pour l'utilisation de cet appareil par une personne responsable de leur sécurité. Surveiller les enfants pour s'assurer qu'ils ne jouent pas avec l'appareil.
- Ce lave-linge ne doit être utilisé que par des adultes en suivant les instructions reportées dans ce mode d'emploi.
- Ne jamais toucher l'appareil si l'on est pieds nus et si les mains sont mouillées ou humides.
- Ne jamais tirer sur le câble pour débrancher la fiche de la prise de courant.
- Ne pas ouvrir le tiroir à produits lessiviels si la machine est branchée.
- Ne pas toucher à l'eau de vidange, elle peut atteindre des températures très élevées.
- Ne pas forcer pour ouvrir le hublot: le verrouillage de sécurité qui protège contre les ouvertures accidentelles pourrait s'endommager.
- En cas de panne, éviter à tout prix d'accéder aux mécanismes internes pour tenter une réparation.
- Veiller à ce que les enfants ne s'approchent pas de l'appareil pendant son fonctionnement.
- Pendant le lavage, le hublot a tendance à se réchauffer.
- Deux ou trois personnes sont nécessaires pour déplacer l'appareil avec toutes les précautions nécessaires. Ne jamais le déplacer tout seul car il est très lourd.
- Avant d'introduire le linge, s'assurer que le tambour est bien vide.

Mise au rebut

- Mise au rebut du matériel d'emballage: se conformer aux réglementations locales de manière à ce que les emballages puissent être recyclés.
- La Directive Européenne 2002/96/EC sur les Déchets des Equipements Electriques et Electroniques, exige que les appareils ménagers usagés ne soient pas jetés dans le flux normal des déchets municipaux. Les appareils usagés doivent être collectés séparément afin d'optimiser le taux de récupération et le recyclage des matériaux qui les composent et réduire l'impact sur la santé humaine et l'environnement. Le symbole de la "poubelle barrée" est apposée sur tous les produits pour rappeler les obligations de collecte séparée.

Entretien et soin

FR

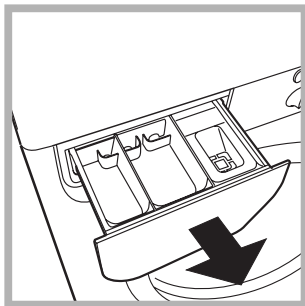
Coupure de l'arrivée d'eau et du courant

- Fermer le robinet de l'eau après chaque lavage. Cela réduit l'usure de l'installation hydraulique du lave-linge et évite tout danger de fuites.
- Débrancher la fiche de la prise de courant lors de tout nettoyage du lave-linge et pendant tous les travaux d'entretien.

Nettoyage du lave-linge

Pour nettoyer l'extérieur et les parties en caoutchouc, utiliser un chiffon imbibé d'eau tiède et de savon. N'utiliser ni solvants ni abrasifs.

Nettoyage du tiroir à produits lessiviels.



Soulever le tiroir et le tirer vers soi pour le sortir de son logement (voir figure). Le laver à l'eau courante; effectuer cette opération assez souvent.

Entretien du hublot et du tambour

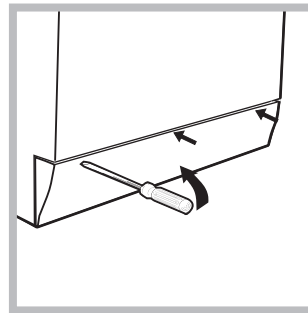
- Il faut toujours laisser le hublot entrouvert pour éviter la formation de mauvaises odeurs.

Nettoyage de la pompe

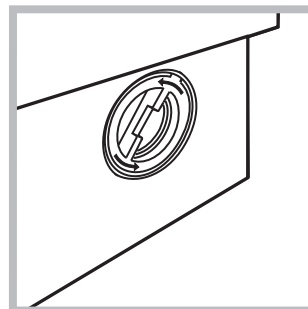
Le lave-linge est équipé d'une pompe autonettoyante qui n'exige aucune opération d'entretien. Il peut toutefois arriver que de menus objets (pièces de monnaie, boutons) tombent dans la préchambre qui protège la pompe, placée en bas de cette dernière.

! S'assurer que le cycle de lavage est bien terminé et débrancher la fiche.

Pour accéder à cette préchambre:



1. démonter le panneau situé à l'avant du lave-linge à l'aide d'un tournevis (voir figure);



2. dévisser le couvercle en le tournant dans le sens inverse des aiguilles d'une montre (voir figure); il est normal qu'un peu d'eau s'écoule;

3. nettoyer soigneusement l'intérieur;
4. revisser le couvercle;
5. remonter le panneau en veillant à bien enfiler les crochets dans les fentes prévues avant de le pousser contre l'appareil.

Contrôle du tuyau d'arrivée de l'eau

Contrôler le tuyau d'alimentation au moins une fois par an. Procéder à son remplacement en cas de craquements et de fissures: car les fortes pressions subies pendant le lavage pourraient provoquer des cassures.

! N'utiliser que des tuyaux neufs.

Il peut arriver que le lave-linge ne fonctionne pas bien. Avant d'appeler le Service de dépannage (voir "Assistance"), contrôler s'il ne s'agit pas par hasard d'un problème facile à résoudre à l'aide de la liste suivante.

Anomalies:

Causes / Solutions possibles:

Le lave-linge ne s'allume pas.

- La fiche n'est pas branchée dans la prise de courant ou mal branchée.
- Il y a une panne de courant.

Le cycle de lavage ne démarre pas.

- Le hublot n'est pas bien fermé.
- La touche MARCHE/ARRÊT n'a pas été enfoncée.
- La touche MARCHE/PAUSE n'a pas été enfoncée.
- Le robinet de l'eau n'est pas ouvert.
- Un départ différé a été sélectionné (voir "Personnalisations").

Il n'y a pas d'arrivée d'eau (le voyant de la première phase de lavage clignote rapidement).

- Le tuyau d'arrivée de l'eau n'est pas raccordé au robinet.
- Le tuyau est plié.
- Le robinet de l'eau n'est pas ouvert.
- Il y a une coupure d'eau.
- La pression n'est pas suffisante.
- La touche MARCHE/PAUSE n'a pas été enfoncée.

Le lave-linge prend l'eau et vidange continuellement.

- Le tuyau de vidange n'est pas installé à une distance du sol comprise entre 65 et 100 cm (voir "Installation").
- L'extrémité du tuyau de vidange est plongée dans l'eau (voir "Installation").
- L'évacuation murale n'a pas d'évent.

Si après ces vérifications, le problème persiste, fermer le robinet de l'eau, éteindre la machine et appeler le service Assistance. Si l'appartement est situé en étage dans un immeuble, il peut y avoir des phénomènes de siphonnage qui font que le lave-linge prend et évacue l'eau continuellement. Pour supprimer cet inconvénient, on trouve dans le commerce des soupapes spéciales anti-siphonnage.

Le lave-linge ne vidange pas et n'essore pas.

- Le programme ne prévoit pas de vidange: pour certains programmes, il faut la faire partir manuellement.
- Le tuyau de vidange est plié (voir "Installation").
- La conduite d'évacuation est bouchée.

Le lave-linge vibre beaucoup pendant l'essorage.

- Le tambour n'a pas été débloqué comme il faut lors de l'installation du lave-linge (voir "Installation").
- Le lave-linge n'est pas posé à plat (voir "Installation").
- Le lave-linge est coincé entre des meubles et le mur (voir "Installation").

Le lave-linge a des fuites.

- Le tuyau d'arrivée de l'eau n'est pas bien vissé (voir "Installation").
- Le tiroir à produits lessiviels est bouché (pour le nettoyer voir "Entretien et soin").
- Le tuyau de vidange n'est pas bien fixé (voir "Installation").

Les voyants des options et le voyant marche/pause clignotent. Le voyant du phase de lavage et le voyant hublot verrouillé restent fixes.

- Eteindre l'appareil et débrancher la fiche de la prise de courant, attendre 1 minute environ avant de rallumer.
Si l'anomalie persiste, appeler le service d'assistance.

Il y a un excès de mousse.

- Le produit de lavage utilisé n'est pas une lessive spéciale machine (il faut qu'il y ait l'inscription "pour lave-linge", "main et machine", ou autre semblable).
- La quantité utilisée est excessive.

Assistance

FR

Avant d'appeler le service après-vente:

- Vérifier si on ne peut pas résoudre l'anomalie par ses propres moyens (voir "*Anomalies et Remèdes*");
- Remettre le programme en marche pour contrôler si l'inconvénient a disparu;
- Autrement, contacter le Centre d'Assistance technique agréé au numéro de téléphone indiqué sur le certificat de garantie.

! Ne jamais s'adresser à des techniciens non agréés.

Communiquer:

- le type de panne;
- le modèle de l'appareil (Mod.);
- son numéro de série (S/N).

Ces informations se trouvent sur la plaque signalétique apposée à l'arrière du lave-linge et à l'avant quand on ouvre la porte hublot.

DE

Deutsch

IWC 6103

INHALTSVERZEICHNIS

Installation 62-63

Auspacken und Aufstellen
Wasser- und Elektroanschlüsse
Erster Waschgang
Technische Daten

Beschreibung des Waschvollautomaten und Starten eines Waschprogramms 64-65

Bedienblende
Kontrollleuchten
Starten eines Waschprogramms

Waschprogramme, 66

Programmtabelle

Personalisierungen 67

Temperatureinstellung
Schleudereinstellung
Funktionen

Waschmittel und Wäsche 68

Waschmittelschublade
Bleichen
Vorsortieren der Wäsche
Besondere Wäscheteile
Unwuchtkontrollsystem

Vorsichtsmaßnahmen und Hinweise 69

Allgemeine Sicherheit
Entsorgung

Reinigung und Pflege 70

Abstellen der Wasser- und Stromversorgung
Reinigung des Gerätes
Reinigung der Waschmittelschublade
Pflege der Gerätetür und Trommel
Reinigung der Pumpe
Kontrolle des Wasserzulaufschlauchs

Störungen und Abhilfe 71

Kundendienst 72

Installation

DE

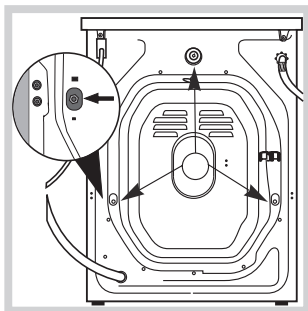
! Es ist äußerst wichtig, diese Bedienungsanleitung sorgfältig aufzubewahren, um sie jederzeit zu Rate ziehen zu können. Sorgen Sie dafür, dass sie im Falle eines Umzugs oder einer Übergabe an einen anderen Benutzer das Gerät stets begleitet, damit auch der neue Inhaber die Möglichkeit hat, diese zu Rate zu ziehen.

! Lesen Sie die Hinweise bitte aufmerksam durch, sie liefern wichtige Informationen hinsichtlich der Installation, des Gebrauchs und der Sicherheit.

Auspacken und Aufstellen

Auspacken

1. Gerät auspacken.
2. Sicherstellen, dass der Waschvollautomat keine Transportschäden erlitten hat. Im Falle einer Beschädigung Gerät bitte nicht anschließen, sondern den Kundendienst anfordern.



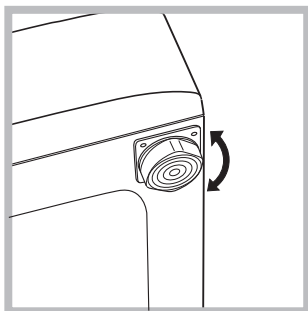
3. Die **3** Transportschutzschrauben herauschrauben und die an der Geräterückwand befindlichen Distanzstücke aus Gummi entfernen (siehe Abbildung).

4. Die Öffnungen mittels der mitgelieferten Abdeckungen verschliessen.
5. Sämtliche Teile aufbewahren: Sollte der Waschautomat erneut transportiert werden, müssen diese Teile wieder eingesetzt werden.

! Verpackungsmaterial ist kein Spielzeug für Kinder.

Nivellierung

1. Der Waschvollautomat muss auf einem ebenen, festen, schwingungsfreien Untergrund aufgestellt werden ohne diesen an Wände, Möbel etc. direkt anzulehnen.

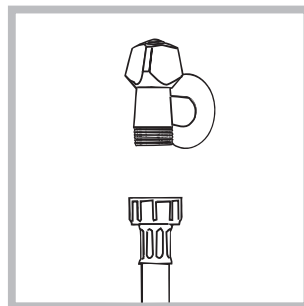


2. Sollte der Boden nicht perfekt eben sein, müssen die Unebenheiten durch An- bzw. Ausdrehen der vorderen Stellfüße ausgeglichen werden (siehe Abbildung), der auf der Arbeitsfläche zu ermittelnde Neigungsgrad darf 2° nicht überschreiten. Eine präzise Nivellierung

verleiht dem Gerät die erforderliche Stabilität, durch die Vibrationen, Betriebsgeräusche und ein Verrücken des Gerätes vermieden werden. Bei Teppichböden müssen die Stellfüße so reguliert werden, dass ein ausreichender Freiraum zur Belüftung unter dem Waschvollautomaten gewährleistet ist.

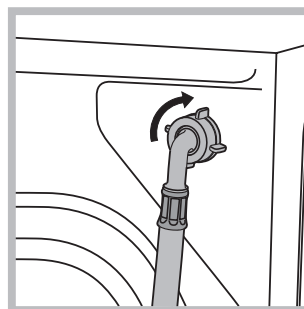
Wasser- und Elektroanschlüsse

Anschluss des Zulaufschlauches



1. Schrauben Sie den Wasserschlauch an einen Kaltwasserhahn mit $\frac{3}{4}$ -GAS-Gewindeanschluss an (siehe Abb.).

Lassen Sie das Wasser vor dem Anschluss so lange auslaufen, bis klares Wasser austritt.



2. Das andere Ende des Schlauches an den oben rechts am Rückteil des Waschvollautomaten befindlichen Wasseranschluss anschließen (siehe Abbildung).

3. Der Schlauch darf hierbei nicht eingeklemmt oder abgknickt werden.

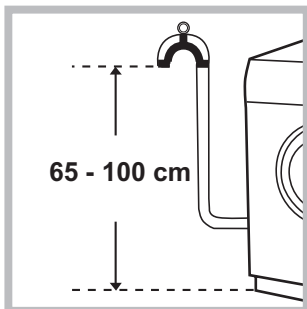
! Der Wasserdruck muss innerhalb der Werte liegen, die in der Tabelle der technischen Daten angegeben sind (siehe nebenstehende Seite).

! Sollte der Zulaufschlauch nicht lang genug sein, dann wenden Sie sich bitte an einen Fachhändler oder an einen autorisierten Fachmann.

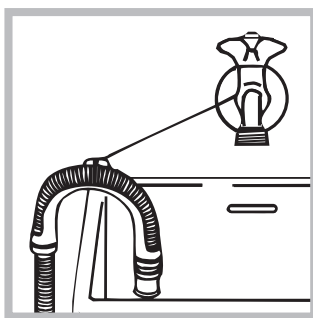
! Verwenden Sie niemals bereits gebrauchte Schläuche.

! Verwenden Sie die Schläuche, die mit dem Gerät geliefert wurden.

Anschluss des Ablaufschlauches



Schließen Sie den Ablaufschlauch ohne ihn dabei abzuknicken an einen geeigneten Abfluss an. Die Mindestablaufhöhe beträgt 65 - 100 cm (gemessen vom Boden), oder hängen Sie diesen mittels des Schlauchhalters gesichert in ein Becken oder Wanne ein;



Befestigen Sie diesen mittels des mitgelieferten Schlauchhalters z.B. an einen Wasserhahn (siehe Abbildung). Das freie Ablaufschlauchende darf nicht unter Wasser positioniert werden.

! Verlängerungsschläuche sollten nicht eingesetzt werden. Sollte dies unvermeidlich sein, muss die Verlängerung denselben Durchmesser des Originalschlauchs aufweisen und darf eine Länge von 150 cm nicht überschreiten.

Stromanschluss

Vor Einfügen des Netzsteckers in die Steckdose ist sicherzustellen, dass:

- die Steckdose über eine normgerechte Erdung verfügt;
- die Steckdose die in den Technischen Daten angegebenen Höchstlast des Gerätes trägt (siehe nebenstehende Tabelle);
- die Stromspannung den in den Technischen Daten angegebenen Werten entspricht (siehe nebenstehende Tabelle);
- die Steckdose mit dem Netzstecker des Waschvollautomaten kompatibel ist. Andernfalls muss der Netzstecker (oder die Steckdose) ersetzt werden.

! Der Waschvollautomat darf nicht im Freien installiert werden, auch nicht, wenn es sich um einen geschützten Platz handelt. Es ist gefährlich, das Gerät Gewittern und Unwettern auszusetzen.

! Die Steckdose sollte nach installiertem Gerät leicht zugänglich sein.

! Verwenden Sie bitte keine Verlängerungen oder Mehrfachstecker.

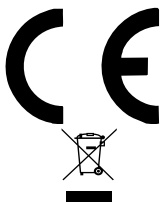
! Das Netzkabel darf nicht gebogen bzw. eingeklemmt werden.

! Das Versorgungskabel darf nur durch autorisierte Fachkräfte ausgetauscht werden.

Achtung! Der Hersteller übernimmt keinerlei Haftung, sollten diese Vorschriften nicht genau beachtet werden.

Erster Waschgang

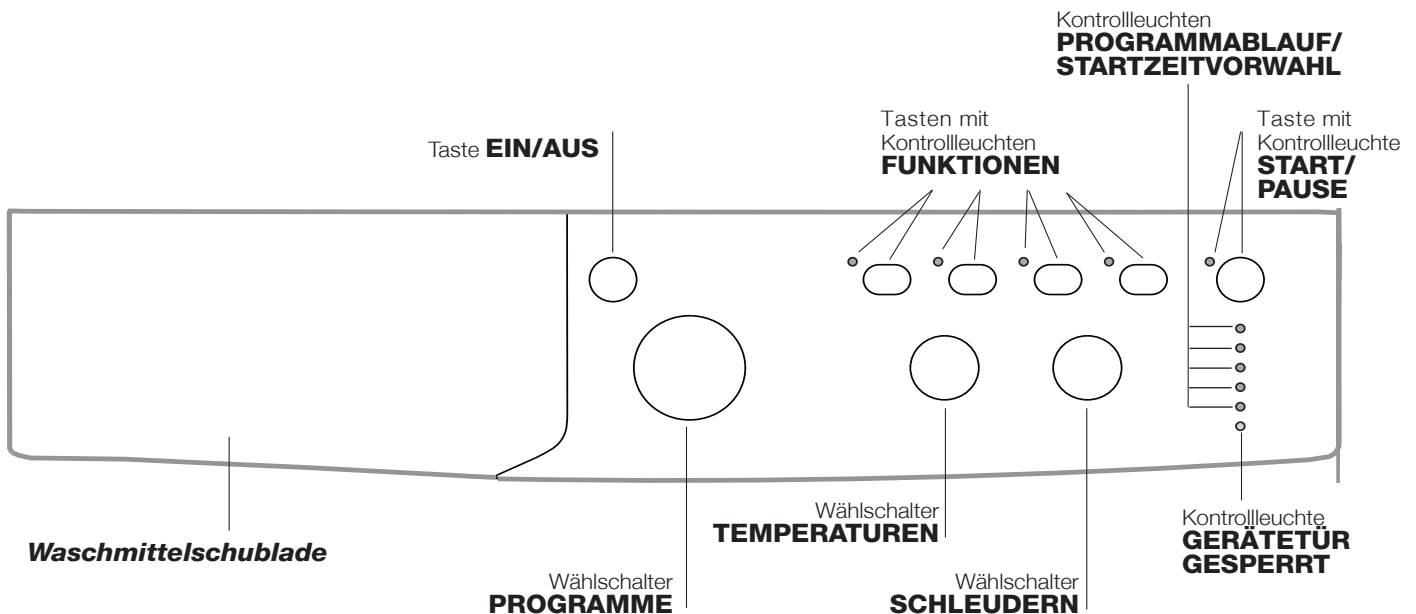
Lassen Sie nach der Installation bzw. vor erstmaligem Gebrauch erst einen Waschgang (mit Waschmittel) ohne Wäsche durchlaufen. Stellen Sie hierzu das Waschprogramm 2 ein.

Technische Daten	
Modell	IWC 6103
Abmessung	Breite 59,5 cm Höhe 85 cm Tiefe 52,5 cm
Fassungsvermögen	1 bis 6 kg
Elektroanschlüsse	siehe das am Gerät befindliche Typenschild
Wasseranschlüsse	Höchstdruck 1 MPa (10 bar) Mindestdruck 0,05 MPa (0,5 bar) Trommelvolumen 46 Liter
Schleudertouren	bis zu 1000 U/min.
Prüfprogramme gemäß der Richtlinien 1061/2010 und 1015/2010	Programm 2: Temperatur 60°C und 40°C
	Dieses Gerät entspricht den folgenden EG-Richtlinien: - 2004/108/CE (elektromagnetische Verträglichkeit) - 2002/96/CE - 2006/95/CE (Niederspannung)

Beschreibung des Waschvollautomaten und Starten eines Waschprogramms

DE

Bedienblende



Waschmittelschublade: für Waschmittel und Zusätze (siehe „Waschmittel und Wäsche“).

Taste EIN/AUS: Zum Ein- und Ausschalten Ihres Waschvollautomaten.

Wählschalter PROGRAMME: Zur Wahl der Waschprogramme. Während des Programmablaufs bleibt der Schalter feststehend.

Tasten mit Kontrollleuchten FUNKTIONEN: Zur Einstellung der verfügbaren Funktionen. Die der gewählten Einstellung entsprechende Kontrollleuchte bleibt eingeschaltet.

Wählschalter SCHLEUDERN: oder um das Schleudern auszuschliessen (siehe „Personalisierungen“).


Wählschalter TEMPERATUREN: Zur Einstellung der Waschtemperatur oder einer Kaltwäsche (siehe „Personalisierungen“).

Kontrollleuchten PROGRAMMABLAUF/STARTZEITVORWAHL: Zur Kontrolle des Waschprogrammablaufs. Die eingeschaltete Kontrollleuchte zeigt die laufende Programmphase an.

Wurde die Funktion „Startzeitvorwahl“ eingestellt, zeigen sie die bis zum Start noch verbleibende Zeit an (siehe Nebenseite).

Kontrollleuchte GERÄTETÜR GESPERRT: Diese Taste zeigt an, ob die Gerätetür geöffnet werden kann oder nicht (siehe Nebenseite).

Taste mit Kontrollleuchte START/PAUSE: Mittels dieser Taste werden die Waschprogramme gestartet oder kurz unterbrochen.

NB: Durch Drücken dieser Taste, kann das Waschprogramm zeitweilig unterbrochen werden (Pause). Die entsprechende Kontrollleuchte schaltet auf orangefarbenes Blinklicht, die Kontrollleuchte der bestehenden Programmphase dagegen schaltet auf Dauerlicht. Sobald die Kontrollleuchte GERÄTETÜR GESPERRT  erlischt, kann die Gerätetür geöffnet werden.

Um das Programm an der Stelle, an der es unterbrochen wurde, wieder in Gang zu setzen, drücken Sie diese Taste erneut.

Funktion Standby

Zur Erfüllung der neuen Richtlinien zum Energieverbrauch ist diese Waschmaschine mit einem automatischen Ausschaltsystem (Standby) ausgestattet, das nach 30 Minuten des Nichtgebrauchs in Funktion tritt. Drücken Sie kurz die Taste ON-OFF und warten Sie, bis sich die Maschine wieder einschaltet.

Verbrauch in Off-Betrieb: 1W

Verbrauch in Left-On: 1W

Kontrollleuchten

Die Kontrollleuchten liefern wichtige Hinweise. Sie signalisieren:

Startzeitvorwahl

Wurde die Funktion „Startzeitvorwahl“ (siehe „Personalisierungen“) aktiviert, und das Programm in Gang gesetzt, schaltet die Kontrollleuchte, die der eingestellten Zeitverschiebung entspricht, auf Blinklicht:

3h 

6h 

9h 

12h 

Nach und nach wird die bis zum effektiven Start noch verbleibende Zeit eingeleuchtet, die entsprechende Kontrollleuchte blinkt:

3h 

6h 

9h 

12h 

Nach Ablauf der eingestellten Verzögerungszeit startet das ausgewählte Programm.


Laufende Programmphase

Wurde das Waschprogramm gewählt und gestartet, leuchten die Kontrollleuchten nach und nach auf, und zeigen so den jeweiligen Programmstand an.





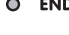
Starten eines Waschprogramms

1. Schalten Sie den Waschvollautomaten durch Drücken der EIN/AUS-Taste ein. Sämtliche Kontrollleuchten leuchten für einige Sekunden auf, und erlöschen wieder. Die Kontrollleuchte START/PAUSE schaltet auf Blinklicht.
2. Füllen Sie die Wäsche ein, und schließen Sie die Gerätetür.
3. Stellen Sie mittels des Wählschalters PROGRAMME das gewünschte Programm ein.
4. Stellen Sie die Waschtemperatur ein (siehe „Personalisierungen“).
5. Stellen Sie die Schleuderstufe ein (siehe „Personalisierungen“).
6. Füllen Sie Waschmittel und Zusätze ein (siehe „Waschmittel und Wäsche“).
7. Wählen Sie die gewünschten Funktionen.
8. Setzen Sie das Programm in Gang. Drücken Sie hierzu die Taste START/PAUSE. Die entsprechende Kontrollleuchte bleibt eingeschaltet (grünes Dauerlicht).

Um die Waschprogramm-Einstellung rückgängig zu machen, muss das Gerät auf Pause geschaltet werden. Drücken Sie hierzu die Taste START/PAUSE. Wählen Sie daraufhin das neue Programm.

9. Nach Ablauf des Waschprogramms leuchtet die Kontrollleuchte **END** auf. Sobald die Kontrollleuchte GERÄTETÜR GESPERRT  erlischt, kann das Bullauge geöffnet werden. Nehmen Sie die Wäsche aus der Maschine und lassen Sie die Gerätetür leicht offen stehen, damit die Trommel trocknen kann.

Schalten Sie den Waschvollautomaten durch Drücken der EIN/AUS-Taste aus.

Hauptwäsche	
Spülen	
Schleudern	
Wasserablauf	
Ende des Waschgangs	 END

Funktionstasten und entsprechende Kontrollleuchten

Nach der Wahl einer Funktion leuchtet die entsprechende Taste auf. Ist die gewählte Funktion nicht vereinbar mit dem eingestellten Programm, schaltet die entsprechende Kontrollleuchte auf Blinklicht und die Funktion wird nicht aktiviert. Ist die gewählte Funktion mit einer anderen bereits eingestellten nicht kompatibel, schaltet die der ersten Funktion entsprechende Kontrollleuchte auf Blinklicht und nur die zweite Funktion wird aktiviert, die Kontrollleuchte der aktivierten Funktion schaltet auf Dauerlicht.




Kontrollleuchte Gerätetür gesperrt:

Ist diese Kontrollleuchte eingeschaltet, bedeutet dies, dass das Bullauge gesperrt ist; warten Sie, bis die Leuchte erlischt, um das Bullauge zu öffnen (etwa 3 Minuten). Um während eines laufenden Programms das Bullauge zu öffnen, drücken Sie die Taste START/PAUSE; ist die der GERÄTETÜR GESPERRT entsprechende Kontrollleuchte ausgeschaltet, kann das Bullauge geöffnet werden.

Waschprogramme

DE

Programmtabelle

Waschprogramme	Beschreibung des Programms	Max. Temp. (°C)	Max. Schleuder Geschwindigkeit (U/min)	Waschmittel				Max. Beladungsmenge (kg)		Restfeuchtigkeit %	Energieverbrauch kWh	Wasser gesamt lt	Programmdauer	
				Vorwäsche	Hauptwäsche	Bleichmittel	Weichspüler	Normal	Eco Time				Normal	Eco Time
Standard														
1	Baumwolle + Vorwasche: stark verschmutzte Kochwäsche.	90°	1000	●	●	-	●	6	-	62	1,84	64	152	-
2	Baumwolle: stark verschmutzte Kochwäsche.	90°	1000	-	●	●	●	6	-	62	1,77	58	137	-
2	Baumwolle (1-2): stark verschmutzte Weiß- und farbechte Buntwäsche.	60°	1000	-	●	●	●	6	-	62	1,048	51	192	-
2	Baumwolle (2): leicht verschmutzte Weiß- und empfindliche Buntwäsche.	40°	1000	-	●	●	●	6	-	62	0,864	52	186	-
3	Baumwolle: stark verschmutzte Weiß- und farbechte Buntwäsche.	60°	1000	-	●	●	●	6	3,5	-	-	-	128	82
4	Baumwolle Buntwäsche (3): leicht verschmutzte Weißwäsche und empfindliche Buntwäsche.	40°	1000	-	●	●	●	6	3,5	62	0,82	53	90	82
5	Synthetik: stark verschmutzte, farbechte Buntwäsche.	60°	800	-	●	●	●	2,5	2	44	0,78	33	99	68
5	Synthetik energetischen (4): stark verschmutzte, farbechte Buntwäsche.	40°	800	-	●	●	●	2,5	2	44	0,49	32	90	68
6	Synthetik: leicht verschmutzte, farbechte Buntwäsche.	40°	800	-	●	●	●	2,5	2	-	-	-	70	68
Spezial														
7	Wolle: wolle, Kaschmir usw.	40°	800	-	●	-	●	1,5	-	-	-	-	72	-
8	Seide/Gardinen: Kleidungsstücke aus Seide, Viskose und Feinwäsche.	30°	0	-	●	-	●	1	-	-	-	-	55	-
9	Jeans	40°	800	-	●	-	●	3	-	-	-	-	58	-
10	Express: zum kurzen Auffrischen leicht verschmutzter Wäsche (nicht geeignet für Wolle, Seide und Handwäsche).	30°	800	-	●	-	●	1,5	-	71	0,12	27	15	-
Sport														
11	Sport Intensive	30°	600	-	●	-	●	3	-	-	-	-	83	-
12	Sport Light	30°	600	-	●	-	●	3	-	-	-	-	58	-
13	Spezial Schuhe	30°	600	-	●	-	●	Max. 2 Paar	-	-	-	-	54	-
Teilprogramme														
	Spülen	-	1000	-	-	●	●	6	-	-	-	-	36	-
	Schleudern	-	1000	-	-	-	-	6	-	-	-	-	16	-
	Abpumpen	-	0	-	-	-	-	6	-	-	-	-	2	-

Die auf dem Display und in der Bedienungsanleitung genannte Zyklusdauer wird ausgehend von Standardbedingungen berechnet. Die effektiv benötigte Zeit kann aufgrund zahlreicher Faktoren wie Temperatur und Druck des Zulaufwassers, Raumtemperatur, Waschmittelmenge, Art, Menge und Verteilung der Waschladdung sowie der gewählten Zusatzfunktionen variieren.

Für alle Testinstitute:

- 1) Prüfprogramm gemäß 2010/1061: Programm 2 und eine Temperatur von 60°C und 40°C einstellen. Dieser Zyklus ist für den Waschvorgang von normal schmutziger Baumwollwäsche geeignet; es ist der wirksamste in Bezug auf den kombinierten Energie-Wasser-Verbrauch; für bei 60°C und 40°C zu waschende Wäsche zu verwenden. Die effektive Waschttemperaturen kann von der angegebenen abweichen.
- 2) Langes Baumwollprogramm: Programm 2 und eine Temperatur von 40°C einstellen.
- 3) Kurzes Baumwollprogramm: Programm 4 und eine Temperatur von 40°C einstellen.
- 4) Synthetische Programm entlang: Programm 5 und eine Temperatur von 40°C einstellen.

Sonderprogramme

Express (Programm 10) Kurzprogramm für die Wäsche leicht verschmutzter Teile: in nur 15 Minuten, zur Einsparung von Zeit und Energie. Stellen Sie dieses Waschprogramm (10 bei 30°C) ein, dann können, bei einer maximalen Lademenge von 1,5 kg, Gewebe unterschiedlicher Art (mit Ausnahme von Wolle und Seide) zusammen gewaschen werden.

Sport Intensive (Programm 11) ist speziell für stark verschmutzte Sportkleidung (Trainingsanzüge, Sporthosen; für beste Resultate empfehlen wir, die in der "Programmtabelle" angezeigte maximale Füllmenge nicht zu übersteigen.

Sport Light (Programm 12) ist speziell für wenig verschmutzte Sportkleidung (Trainingsanzüge, Sporthosen; für beste Resultate empfehlen wir, die in der "Programmtabelle" angezeigte maximale Füllmenge nicht zu übersteigen. Verwenden Sie ein Flüssigwaschmittel und nur die Menge für eine halbe Gerätefüllung.

Sport Shoes (Programm 13) ist speziell für das Waschen von Sportschuhen; für beste Resultate waschen Sie nicht mehr als 2 Paar.

Temperatureinstellung

Drehen Sie den Wählschalter „TEMPERATUREN“, um die Waschtemperatur einzustellen (siehe *Programmtabelle*).

Die Temperatur kann bis auf Kaltwäsche  herabgesetzt werden.

Der Waschvollautomat verhindert automatisch die Einstellung einer höheren Schleuderstufe, sollte diese die für das jeweilige Programm vorgeschriebene Höchstgeschwindigkeit übersteigen.

Schleudereinstellung

Durch Drehen des Wählschalters SCHLEUDER wird die Schleudergeschwindigkeit des gewählten Waschprogramms eingestellt.

Folgende Höchstgeschwindigkeiten sind für die einzelnen Programme vorgesehen:

Waschprogramme	Höchstgeschwindigkeit
Baumwolle	1000 U/min
Kunstfasern	800 U/min
Wolle	800 U/min
Seide	nur Wasserablauf

Die Schleudergeschwindigkeit kann herabgesetzt werden. Durch Wahl des Symbols  kann die Schleuder gänzlich ausgeschlossen werden.

Der Waschvollautomat verhindert automatisch ein stärkeres Schleudern, sollte dieses die für das jeweilige Programm vorgeschriebene Höchstgeschwindigkeit übersteigen.

Funktionen

Die verschiedenen Waschkfunktionen, die Ihnen Ihr Waschvollautomat bietet, ermöglichen es Ihnen, hygienisch saubere und weiße Wäsche zu erhalten, die Ihren Wünschen entspricht.

Aktivierung der Funktionen:




1. Drücken Sie die Taste, die der gewünschten Funktion entspricht.
2. Das Aufleuchten der entsprechenden Kontrollleuchte zeigt an, dass die Funktion aktiviert wurde.

Anmerkung: Sollte die Kontrollleuchte jedoch auf rasches Blinklicht schalten, dann bedeutet dies, dass die Funktion zu dem eingestellten Programm nicht zugeschaltet werden kann.

EcoTime

Durch Auswahl dieser Option werden die mechanische Bewegung, die Temperatur und das Wasser für eine verminderte Füllmenge mit wenig verschmutzten Baumwoll- und Synthetikstoffen optimiert (siehe *“Programmtabelle“*).

Mit EcoTime werden die Waschzeiten verkürzt, was Wasser und Energie spart. Wir empfehlen, die für die Füllmenge geeignete Menge Flüssigwaschmittel zu verwenden.

! Diese Funktion kann zu den Programmen 1, 2, 7, 8, 9, 10, 11, 12, 13, , ,  nicht zugeschaltet werden.

Fleckenstopp

Bleichzyklus, zur Entfernung auch hartnäckigster Flecken. Vergessen Sie nicht, dass das Bleichmittel in die Zusatzkammer 4 eingegeben werden muss (siehe *“Bleichen“*).

! Diese Funktion kann zu den Programmen 1, 7, 8, 9, 10, 11, 12, 13, ,  nicht zugeschaltet werden.

Extraspülgang

Wählen Sie diese Zusatzfunktion, wird die Spülwirkung erhöht und somit ein optimales Ausspülen des Waschmittels garantiert. Dies ist besonders angezeigt bei sehr empfindlicher Haut bzw. Waschmittelallergien.

! Diese Funktion kann zu den Programmen 10, ,  nicht zugeschaltet werden.

Startzeitvorwahl

Der Start des Waschprogramms kann bis zu 12 Stunden verschoben werden.

Drücken Sie die Taste mehrmals, bis die der gewünschten Zeitverschiebung entsprechende Kontrollleuchte aufleuchtet. Ein fünfter Tastendruck deaktiviert die Funktion.

NB: Ist die Taste START/PAUSE einmal gedrückt, kann der gewählte Zeitverschiebungswert nur noch herabgesetzt werden bis zum Start des eingestellten Programms.

! Obiges gilt für alle Programme.

Waschmittel und Wäsche

DE

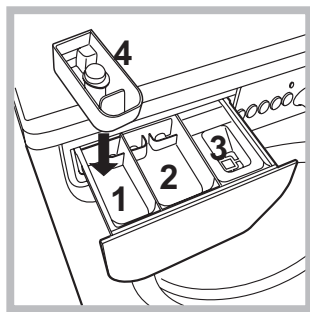
Waschmittel und Wäsche

Ein gutes Waschergebnis hängt auch von einer korrekten Waschmitteldosierung ab: Eine zu hohe Dosierung bedeutet nicht unbedingt reinere Wäsche, sie trägt nur dazu bei, die Maschineninnenteile zu verkrusten und die Umwelt zu belasten.

! Verwenden Sie keine Handwaschmittel, sie verursachen eine zu hohe Schaumbildung.

! Waschmittel in Pulverform für Baumwollweißwäsche, für die Vorwäsche und für Waschprogramme bei Temperaturen über 60°C verwenden.

! Bitte befolgen Sie den auf der Waschmittelverpackung angegebenen Anweisungen.



Schublade herausziehen und Waschmittel oder Zusätze wie folgt einfüllen:

In Kammer 1: Waschpulver für die Vorwäsche (Waschpulver)

Vergewissern Sie sich vor Einfüllen des Waschmittels, dass die Zusatzkammer 4 nicht eingesetzt wurde.

In Kammer 2: Waschmittel für die Hauptwäsche (Waschpulver oder Flüssigwaschmittel)

Flüssigwaschmittel nur kurz vor dem Start einfüllen.

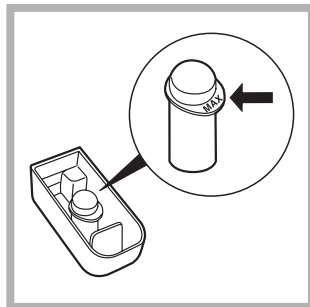
In Kammer 3: Zusätze (Weichspüler usw.)

Der Weichspüler darf das Gitter nicht übersteigen.

Zusätzliche Kammer 4: Bleichmittel

Bleichen

! **Normale** Bleichmittel sind für strapazierfähige Weißwäsche zu verwenden, **milde** Bleichmittel dagegen für Buntwäsche, Feinwäsche und Wolle.



Diese Funktion ermöglicht das Entfernen von hartnäckigen Flecken. Setzen Sie die mitgelieferte, zusätzliche Kammer 4 in Kammer 1 ein. Bei der Dosierung des Bleichmittels darf der gekennzeichneten Höchststand "max" (siehe Abbildung) nicht überschritten werden.

Wenn Sie nur bleichen möchten, füllen Sie das Bleichmittel in die Zusatzkammer 4 ein, stellen Sie das

Programm "Spülen" ein und aktivieren Sie die Funktion "Fleckenstopp" . Um während des Waschgangs zu bleichen, geben Sie das Waschmittel und die Zusätze ein, stellen Sie das gewünschte Programm ein und aktivieren Sie die Funktion "Fleckenstopp" .

Die Verwendung der zusätzlichen Kammer 4 schließt die Vorwäsche aus.

Vorsortieren der Wäsche

- Sortieren Sie die Wäsche nach:
 - Gewebart / Waschetikettensymbol.
 - und Farben: Buntwäsche von Weißwäsche trennen.
- Entleeren Sie alle Taschen.
- Das angegebene Gewicht, das sich auf die maximale Ladung an Trockenwäsche bezieht, sollte nicht überschritten werden:

Widerstandsfähige Gewebe: max 6 kg

Kunstfasergewebe: max 2,5 kg

Feinwäsche: max 2 kg

Wolle: max 1,5 kg

Seide: max 1 kg

Wie schwer ist Wäsche?

1 Betttuch 400-500 gr

1 Kissenbezug 150-200 gr

1 Tischdecke 400-500 gr

1 Bademantel 900-1.200 gr

1 Handtuch 150-250 gr

Besondere Wäscheteile

Wolle: Mit dem Programm 7 können alle Woll Sachen gewaschen werden, auch wenn das Etikett "nur Handwäsche" zeigt. Für beste Ergebnisse verwenden Sie ein spezifisches Waschmittel und waschen Sie maximal 1,5 kg Wäsche.

Seide: Wählen Sie das Spezialprogramm 8 zum Waschen aller Kleidungs- bzw. Wäschestücke aus Seide. Es empfiehlt sich der Einsatz von Feinwaschmittel.

Gardinen: Sie sollten zusammengelegt und in ein Wäschenetz gegeben werden. Stellen Sie das Programm 8 ein.

Jeans: drehen Sie die Wäschestücke vor der Wäsche auf links und verwenden Sie ein Flüssigwaschmittel. Stellen Sie das Programm 9 ein.

Unwuchtkontrollsystem

Um starke Vibrationen oder eine Unwucht beim Schleudern zu vermeiden, verfügt das Gerät über ein Schleuderunwuchtsystem. Die Waschladdung wird durch eine erhöhte Rotation der Trommel als die des Waschgangs ausbalanciert. Sollte die Wäscheladung nach Ablauf mehrerer Versuche immer noch nicht korrekt verteilt sein, schleudert das Gerät die Wäsche bei einer niedrigeren Geschwindigkeit als die der vorgesehenen Schleudergeschwindigkeit. Sollte die Wäsche extrem ungleichmäßig verteilt sein, führt das Gerät anstelle des Schleudergangs einen Wäscheverteilungs-Zyklus durch. Um eine optimale Verteilung der Wäscheladung und somit eine korrekte Auswuchtung zu fördern, sollten große und kleine Wäscheteile gemischt eingefüllt werden.

! Der Waschvollautomat wurde nach den strengsten internationalen Sicherheitsvorschriften entworfen und gebaut. Nachstehende Hinweise werden aus Sicherheitsgründen geliefert und sollten aufmerksam gelesen werden.

Allgemeine Sicherheit

- Dieses Gerät wurde ausschließlich für den Einsatz im privaten Haushalt konzipiert.
- Dieses Gerät ist nicht zur Verwendung durch Personen (einschließlich Kinder) mit eingeschränkten körperlichen, geistigen oder sensorialen Fähigkeiten oder ohne ausreichende Erfahrung und Kenntnis geeignet, es sei denn, sie werden durch eine für ihre Sicherheit verantwortliche Person beaufsichtigt und eingewiesen. Kinder müssen beaufsichtigt werden, um sicherzustellen, dass sie nicht mit dem Gerät spielen.
- Der Waschvollautomat darf nur von Erwachsenen und gemäß den Anleitungen dieses Handbuchs bedient werden.
- Berühren Sie das Gerät nicht, wenn Sie barfuß sind, und auch nicht mit nassen oder feuchten Händen oder Füßen.
- Ziehen Sie den Gerätestecker nicht am Kabel aus der Steckdose, sondern nur am Netzstecker selbst.
- Öffnen Sie die Waschmittelschublade nicht, wenn das Gerät in Betrieb ist.
- Berühren Sie nicht das Ablaufwasser, es könnte sehr heiß sein.
- Öffnen Sie die Gerätetür nicht mit Gewalt: Der Sicherheits-Schließmechanismus könnte hierdurch beschädigt werden.
- Bei etwaigen Störungen versuchen Sie bitte nicht, Innenteile selbst zu reparieren.
- Halten Sie Kinder stets von dem in Betrieb befindlichen Gerät fern.
- Während des Waschganges kann die Gerätetür sehr heiß werden.
- Muss das Gerät versetzt werden, sollten hierfür zwei oder drei Personen verfügbar sein. Versetzen Sie es niemals allein, das Gerät ist äußerst schwer.
- Bevor Sie die Wäsche einfüllen, stellen Sie bitte sicher, dass die Wäschetrommel leer ist.

Entsorgung

- Entsorgung des Verpackungsmaterials: Befolgen Sie die lokalen Vorschriften, Verpackungsmaterial kann wiederverwertet werden.
- Gemäß der Europäischen Richtlinie 2002/96/EC über Elektro- und Elektronik-Altgeräte dürfen Elektrohaushalts-Altgeräte nicht über den herkömmlichen Haushaltsmüllkreislauf entsorgt werden. Altgeräte müssen separat gesammelt werden, um die Wiederverwertung und das Recycling der beinhalteten Materialien zu optimieren und die Einflüsse auf die Umwelt und die Gesundheit zu reduzieren. Das Symbol „durchgestrichene Mülltonne“ auf jedem Produkt erinnert

Sie an Ihre Verpflichtung, dass Elektrohaushaltsgeräte gesondert entsorgt werden müssen. Endverbraucher können sich an Abfallämter der Gemeinden wenden, um mehr Informationen über die korrekte Entsorgung ihrer Elektrohaushaltsgeräte zu erhalten.

Reinigung und Pflege

DE

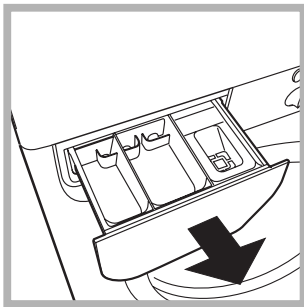
Abstellen der Wasser- und Stromversorgung

- Drehen Sie den Wasserhahn nach jedem Waschvorgang zu. Hierdurch wird der Verschleiß der Wasseranlage verringert und Wasserlecks vorgebeugt.
- Ziehen Sie den Netzstecker aus der Steckdose, bevor Sie Ihren Waschvollautomaten reinigen.

Reinigung des Gerätes

Die Gehäuseteile und die Teile aus Gummi können mit einem mit warmer Spülmittellauge angefeuchteten Tuch gereinigt werden. Vermeiden Sie Löse- und Scheuermittel

Reinigung der Waschmittelschublade



Heben Sie die Schublade leicht an und ziehen Sie sie nach vorne hin heraus (siehe Abbildung). Spülen Sie sie regelmäßig unter fließendem Wasser gründlich aus.

Pflege der Gerätetür und Trommel

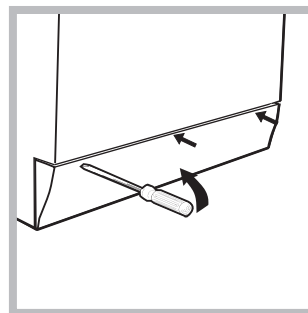
- Lassen Sie die Gerätetür stets leicht offen stehen, um die Bildung unangenehmer Gerüche zu vermeiden.

Reinigung der Pumpe

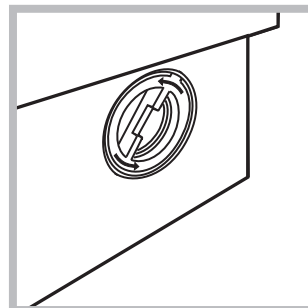
Ihr Gerät ist mit einer selbstreinigenden Pumpe ausgerüstet, eine Wartung ist demnach nicht erforderlich. Es könnte jedoch vorkommen, dass kleine Gegenstände (Münzen, Knöpfe) in die zum Schutz der Pumpe dienende Vorkammer (befindlich unter der Pumpe) fallen.

! Vergewissern Sie sich, dass der Waschgang abgeschlossen ist und ziehen Sie den Netzstecker heraus.

Zugang zur Vorkammer:



1. Nehmen Sie die Abdeckung (befindlich an der Gerätefront) mit Hilfe eines Schraubenziehers ab (siehe Abbildung);



2. Drehen Sie den Deckel gegen den Uhrzeigersinn ab (siehe Abbildung): es ist ganz normal, wenn etwas Wasser austritt;

3. Reinigen Sie das Innere gründlich;
4. Schrauben Sie den Deckel wieder auf;
5. Bringen Sie die Abdeckung wieder an. Stellen Sie hierbei sicher, dass die Haken in die Schlitz eingreifen, bevor Sie die Abdeckung fest andrücken.

Kontrolle des Wasserzulaufschlauchs

Kontrollieren Sie den Zulaufschlauch mindestens einmal im Jahr. Weist er Risse bzw. Brüche auf, muss er ausgetauscht werden. Der starke Druck während des Waschprogramms könnte zu plötzlichem Platzen führen.

! Verwenden Sie niemals bereits gebrauchte Schläuche.

Bei Funktionsstörung: Bevor Sie sich an den Technischen Kundendienst wenden (siehe „Kundendienst“), vergewissern Sie sich zuerst, ob es sich nicht um eine Kleinigkeit handelt, die Sie selbst beheben können. Ziehen Sie hierzu nachstehendes Verzeichnis zu Rate.

Störungen:

Der Waschvollautomat schaltet sich nicht ein.

Der Waschgang startet nicht.

Der Waschvollautomat lädt kein Wasser. Die Kontrollleuchte der ersten Waschphase blinkt (rasches Blinklicht).

Der Waschvollautomat lädt laufend Wasser und pumpt es laufend ab.

Der Waschvollautomat pumpt nicht ab und schleudert nicht.

Der Waschvollautomat vibriert zu stark während des Schleuderns.

Der Waschvollautomat ist undicht.

Die Kontrollleuchten “Optionen” und “Start/Pause” blinken und eine der Kontrollleuchten der “laufenden Programmphase” sowie die für “Gerätetür gesperrt” bleiben eingeschaltet.

Es bildet sich zu viel Schaum.

Mögliche Ursachen / Lösungen:

- Der Stecker steckt nicht in der Steckdose, oder nicht so, dass der Kontakt hergestellt wird.
- Der Strom ist ausgefallen.

- Die Gerätetür wurde nicht vorschriftsmäßig geschlossen.
- Die EIN/AUS-Taste wurde nicht gedrückt.
- Die Taste START/PAUSE wurde nicht gedrückt.
- Der Wasserhahn ist nicht aufgedreht.
- Es wurde ein verzögerter Start gewählt (siehe „Personalisierungen“).

- Der Zufuhrschlauch ist nicht am Wasserhahn angeschlossen.
- Der Schlauch ist geknickt.
- Der Wasserhahn ist nicht aufgedreht.
- Es ist kein Wasser da.
- Der Druck ist unzureichend.
- Die Taste START/PAUSE wurde nicht gedrückt.

- Der Ablaufschlauch befindet sich nicht auf der vorgeschriebenen Höhe, d.h. 65 – 100 cm vom Boden (siehe „Installation“).
- Das Schlauchende liegt unter Wasser (siehe „Installation“).
- Der Abfluss der Hausinstallation wurde nicht mit einer Entlüftungsöffnung versehen.
Konnte die Störung durch diese Kontrollen nicht behoben werden, dann drehen Sie den Wasserhahn zu, schalten das Gerät aus und fordern den Kundendienst an. Falls Sie in einer der obersten Etagen eines Gebäudes wohnen, kann es vorkommen, dass sich im Syphon ein Vakuum bildet, und der Waschvollautomat ständig Wasser ansaugt und wieder abpumpt. Zur Lösung dieser Probleme bietet der Handel spezielle Syphonventile.

- Das Programm siehe kein Abpumpen vor: Bei einigen Programmen muss es von Hand eingestellt werden (siehe „Starten eines Waschprogramms“).
- Der Ablaufschlauch ist geknickt (siehe „Installation“).
- Die Ablaufleitung ist verstopft.

- Die Trommel wurde bei der Installation nicht korrekt befreit (siehe „Installation“).
- Der Waschvollautomat steht nicht eben (siehe „Installation“).
- Der Waschvollautomat steht zu eng zwischen der Wand und einem Möbel (siehe „Installation“).

- Der Zulaufschlauch wurde nicht ordnungsgemäß aufgeschraubt (siehe „Installation“).
- Die Waschmittelschublade ist verstopft (zur Reinigung siehe „Wartung und Pflege“).
- Der Ablaufschlauch ist nicht korrekt befestigt (siehe „Installation“).

- Schalten Sie das Gerät aus und ziehen Sie den Netzstecker; warten Sie daraufhin ca. 1 Minute und schalten Sie es wieder ein.
Bleibt die Störung bestehen, kontaktieren Sie bitte den Kundendienst.

- Das Waschmittel ist für Waschmaschinen nicht geeignet (es muss mit der Aufschrift „Für Waschmaschinen“, „Für Handwäsche und Waschmaschinen“ usw. versehen sein).
- Es wurde zu hoch dosiert.

Bevor Sie sich an den Kundendienst wenden:

- Sollten einige Kontrollen vorab selbst durchgeführt werden (siehe „Störungen und Abhilfe“);
- Starten Sie daraufhin das Programm erneut, um sicherzustellen, dass die Störung auch wirklich behoben wurde;
- Ist dies nicht der Fall, dann kontaktieren Sie den autorisierten Kundendienst unter der auf dem Garantieschein befindlichen Telefonnummer.

! Wenden Sie sich auf keinen Fall an nicht autorisierte Techniker.

Geben Sie bitte Folgendes an:

- die Art der Störung;
- das Maschinenmodell (Mod.);
- die Seriennummer (S/N).

Diese Daten entnehmen Sie bitte dem auf der Rückseite des Waschvollautomaten und auf der Vorderseite (Gerätetür öffnen) befindlichen Typenschild.